

## IMPORTANT SAFEGUARDS

When using electrical equipment, basic safety precautions should always be followed, including the following:

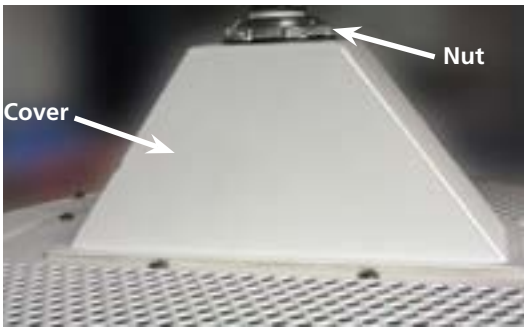
THIS PRODUCT MUST BE INSTALLED IN ACCORDANCE WITH THE APPLICABLE INSTALLATION CODE BY A PERSON FAMILIAR WITH THE CONSTRUCTION AND OPERATION OF THE PRODUCT AND THE HAZARDS INVOLVED. DISCONNECT POWER TO ALL CIRCUITS BEFORE WIRING FIXTURE. INSTALL IN ACCORDANCE WITH ALL NATIONAL, STATE, AND LOCAL CODES. DO NOT CONNECT TO AN UNGROUNDED SUPPLY. READ ALL FIXTURE MARKINGS AND LABELS TO ENSURE CORRECT INSTALLATION OF FIXTURE.

SUPPLEMENTAL INSTRUCTIONS MAY BE LOCATED ON THE FIXTURE, IN ADDITION TO THIS INSTRUCTION SHEET, REGARDING ORIENTATION, OR MOUNTING RESTRICTIONS.

## SAVE THESE INSTRUCTIONS

## INSTALLATION INSTRUCTIONS

### I. Pendant Mount Installation



1. Remove cover by removing nut from fixture.

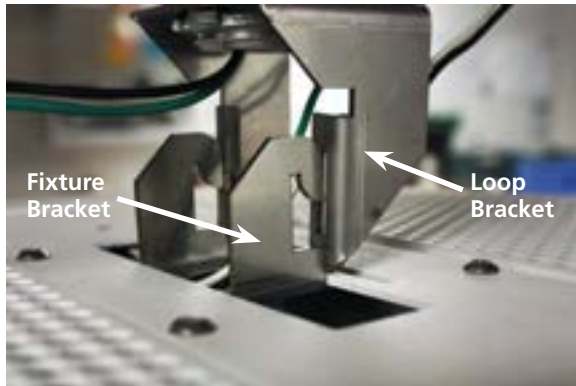


2. Slide the nut, washer and cover over the stem (stem supplied by others).

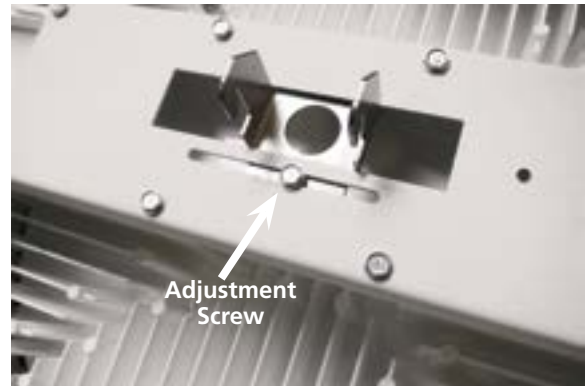


3. Fasten the hub to the stem.





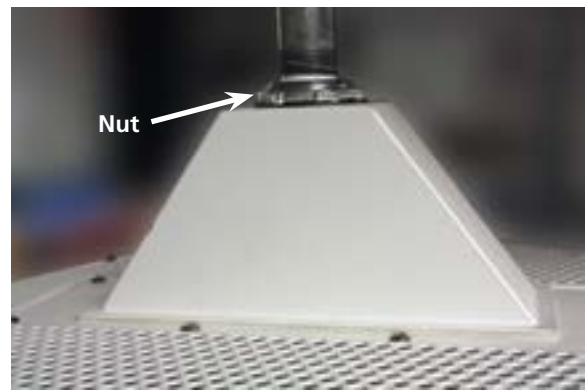
4. Hook loop bracket to fixture hanger bracket.



NOTE: Slide Adjustment Screw to level the fixture.



5. Make electrical connection, then slide cover down.

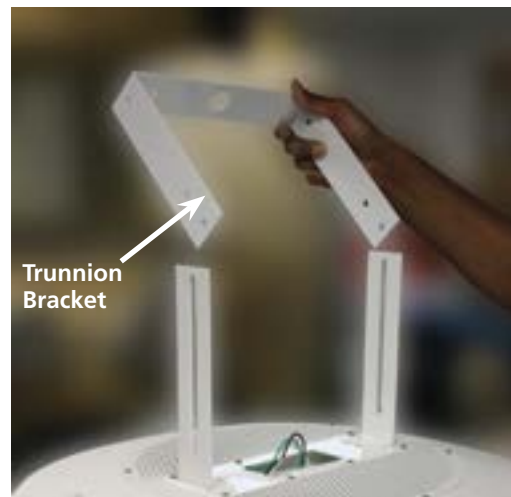


6. Fasten nut tightly over hub for water-tight seal.

### III. Trunnion Kit Installation



1. Remove the two (2) nuts holding the cover.

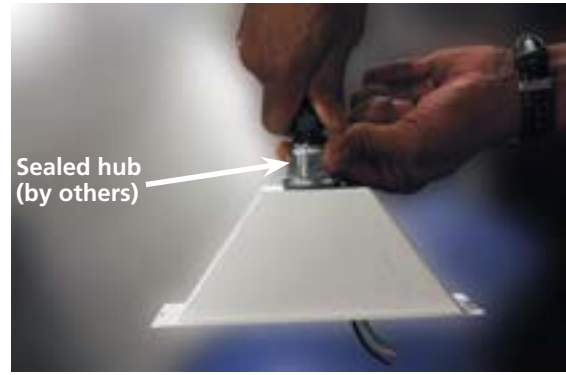


2. Remove the four (4) bolts holding trunnion bracket together.





3. Fasten the top bracket to the surface, using two (2) 5/16" bolts (supplied by others).



4. Attach 3/4" sealed hub (supplied by others) and conduit.



5. Make electrical connections.



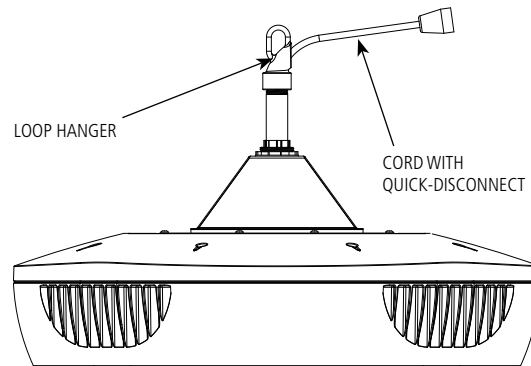
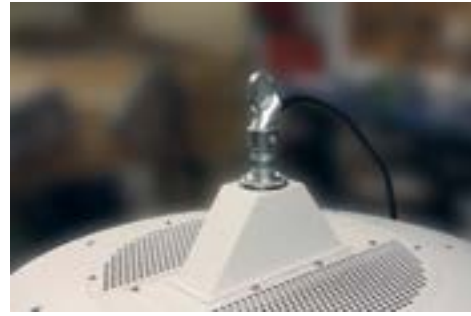
6. Fasten cover down.



7. Reattach the four (4) bolts to the trunnion bracket.

## LOOP HANGER INSTALLATION – HL (ATTACHED AT FACTORY)

1. Wire cord leads to power supply leads using connectors suitable for the gauge and number of wires being used. Black fixture lead connects to the supply conductor, white fixture lead connects to the neutral supply conductor, and the grounding wire must be connected to a suitable ground.
2. Hang luminaire by attaching to user supplied chain or cables.
3. Connect power cord.
4. As a safety recommendation, an additional aircraft cable (not included) should be used to attach the loop hanger and supporting structure.



## SAFETY RECOMMENDATION

Aircraft cable (not included) is recommended for attaching the fixture structural to the upper structural.

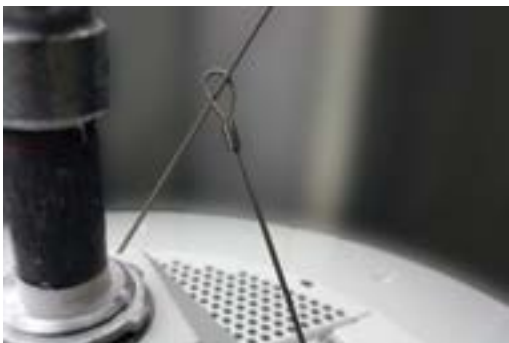
## II. Safety Cable Option



1. Remove screws and lift cover of fixture. Loop safety cable under center support.



2. Send straight end through loop end of the safety cable.



3. Replace cover and secure the cable to the super-structure.



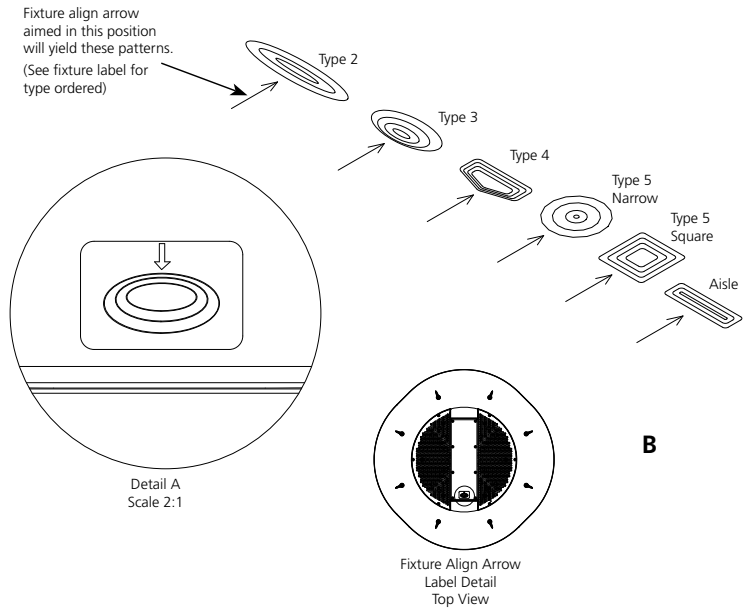
www.kenall.com | P: 800-4-Kenall | F: 262-891-9701 | 10200 55th Street Kenosha, Wisconsin 53144, USA

This product complies with the Buy American Act: manufactured in the United States with more than 50% of the component cost of US origin. It may be covered by patents found at [www.kenall.com/patents](http://www.kenall.com/patents). Content of specification sheets is subject to change; please consult [www.kenall.com](http://www.kenall.com) for current product details. ©2019 Kenall Mfg. Co.

A brand of **legrand**

HBM\_F-4938\_090418

## Optic Alignment Key

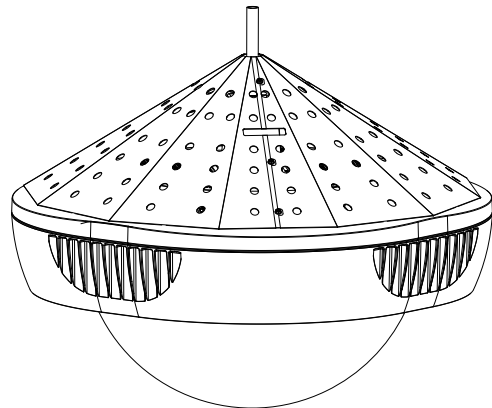
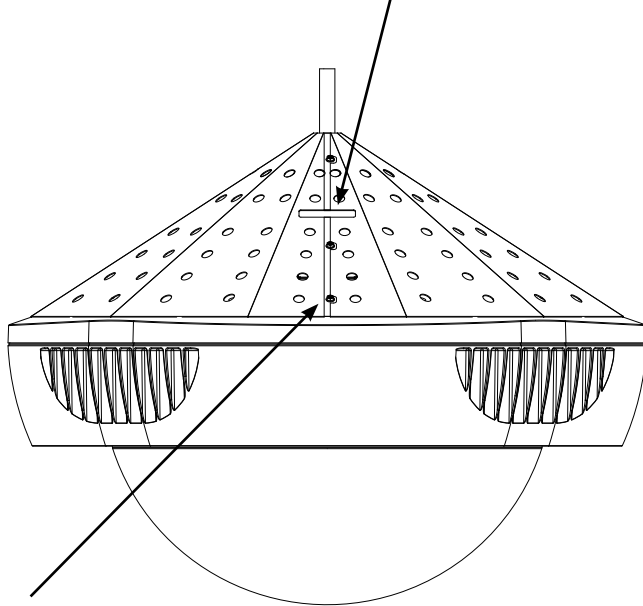


## BIRD GUARD INSTALLATION

### PENDANT MOUNT & TRUNNION KIT

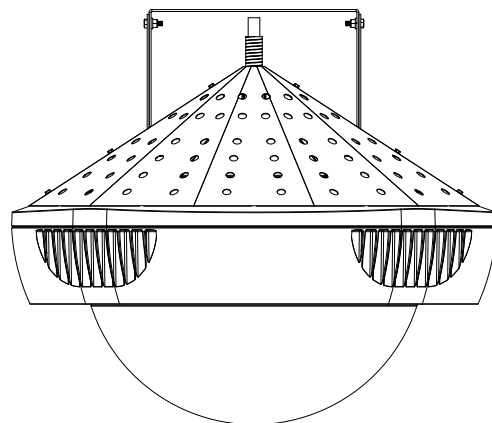
1. Bird Guard lays on top of casting.

(For Trunnion Kit use slots)



Pendant Mount

2. Attach both sides with (4) screws provided.



Trunnion Kit



www.kenall.com | P: 800-4-Kenall | F: 262-891-9701 | 10200 55th Street Kenosha, Wisconsin 53144, USA

This product complies with the Buy American Act: manufactured in the United States with more than 50% of the component cost of US origin. It may be covered by patents found at [www.kenall.com/patents](http://www.kenall.com/patents). Content of specification sheets is subject to change; please consult [www.kenall.com](http://www.kenall.com) for current product details. ©2019 Kenall Mfg. Co.

A brand of **legrand**

HBM\_F-4938\_090418

## CUSTOMER SERVICE

---

For technical assistance, call 1-800-4KENALL (1-800-453-6255).

## WARRANTY

---

For warranty information visit [www.kenall.com/Resources/Certified-Performance-Warranties](http://www.kenall.com/Resources/Certified-Performance-Warranties)

