

MEDMASTER® SAFESLOT™

Multi-Function Luminaires for Behavioral Health Applications

BHAERS4 SERIES

PRODUCT FEATURES:

- » 4" x 48" recessed linear slot luminaire for paired, over-bed lighting
- » Provides ambient, exam and reading modes within a seamless design
- » High-output, high-CRI LED lamp sources
- » One-piece doorframe with continuous lens retention and tamper-resistant fasteners
- » Fixture must be specified and ordered in pairs
- » Standard IP65 and NSF2 ratings for cleanability and ingress-protection
- » Ligature resistant construction



PROJECT INFORMATION

Job Name _____

Fixture Type _____

Catalog Number _____

Approved by _____

SPECIFICATIONS

HOUSING: Extruded 6063-T5 aluminum construction with aluminum endcaps. Low-gloss anti-microbial white TGIC polyester powder coat finish with five-stage pre-treatment applied to exterior, room-side components.

DOORFRAME: One-piece extruded 6063-T5 aluminum outer frame with low-gloss anti-microbial white TGIC polyester powder-coat finish with five-stage pre-treatment. Inner aluminum extrusion continuously bonds lens to door. Closed-cell gasketing. Tamper-resistant T20 TORX fasteners secure doorframe to housing.

OPTIC: Symmetric (Lambertian) or 7.5° asymmetric distribution option. Diffused polycarbonate outer lens with 0.188" overall thickness. Must specify left- and right-throw for offset paired mounting over bed.

LED MODULE: Serviceable mid-power LED array. See Ordering Information for available color temperature options. Minimum 82 CRI standard (R9>20) with 90 CRI optional.

DRIVER: 120-277VAC, 50/60Hz electrical input with serviceable constant-current drivers (<20% THD, >0.90 PF). See 'CONTROL' for dimming information. Minimum 85% driver efficiency.

CONTROL: Integrated low-voltage controller with dimming (MLVCD) for pillow-switch/wall-control of ambient, exam and reading modes. Master-Satellite arrangement for paired installations. "Ambient" mode operates the primary light engine at 50% output. A sustained button press on the wall/bed controller sweeps light intensity (dimming) from 50% down to 0% (bi-directionally). "Exam" mode operates the primary light engine at 100% output. Dimming is not possible in "Exam mode." "Reading" mode operates an integral secondary light engine positioned nearest the headwall. A sequential button press on the wall/bed controller changes intensity in the order of 0%/33%/66%/100%/0%.

INSTALLATION: Suitable for Type-IC recessed ceiling installation into 9/16" and 15/16" lay-in and tegular grid ceilings, flanged drywall ceilings and trimless mud-in installations with 5/8" drywall. See Ordering Information for Ceiling Type selection. Suitable for 0°C - 40°C ambient temperature environments.

PHOTOMETRICS: Photometry tested to the IESNA LM-79-08 standard by an ILAC/ISO17025 accredited laboratory. For detailed photometric information, please visit www.kenall.com.

WARRANTY: Limited five (5) year warranty.

LISTINGS: Luminaire is certified to UL standards by Intertek Testing Laboratories for Type-IC and Wet Location installations. IP65 rating per IEC60598. NSF2 Splash/Non-Food Zone rated. Standard CCEA compliance. Ligature resistant construction.



ORDERING INFORMATION

(LEFT Ex: BHAERS4-48-TG-LASYM-20L/50L/8L-35K8-DIM1-DV-MLVCD/M-F-8697)
(RIGHT Ex: BHAERS4-48-TG-RASYM-20L/50L/8L-35K8-DIM1-DV-MLVCD/S-F-8697-LEL)

| Model | Length | Ceiling Configuration | Optical Distribution | Lamp Power | Lamp Color | Driver Type | Voltage | Controls/ Paired Installation | LVC Wiring | Options | Accessories |
|-------------------------|-----------|-----------------------|----------------------|------------|------------|-------------|-----------|----------------------------------|------------|---------|-------------|
| Left BHAERS4 | 48 | | LASYM | | | DIM1 | DV | MLVCD/M | | | |
| Right BHAERS4 | 48 | | RASYM | | | DIM1 | DV | MLVCD/S | | | |

Nominal Length
48 4'

Ceiling Configuration

G 9/16" and 15/16" Lay-In Grid
TG 9/16" and 15/16" Tegular Grid
FL Flange
TM Trimless Mud-In for 5/8" Drywall

Optical Distribution

RASYM Asymmetric, Right Throw
LASYM Asymmetric, Left Throw

Lamp Power

20L/50L 20W Ambient/50W Exam
20L/50L/8L 20W Ambient/50W Exam/8W Reading

Lamp Color

30K8 3000K / 80 CRI min.
30K9 3000K / 90 CRI min.
35K8 3500K / 80 CRI min.
35K9 3500K / 90 CRI min.
40K8 4000K / 80 CRI min.
40K9 4000K / 90 CRI min.

Driver Type

DIM1 0-10V Dimming to 1% (see Control description for detail)

Input Voltage

DV 120-277VAC, 50/60Hz

Controls/Paired Installation[^]

MLVCD/M Low Voltage Controller with Dimming/Paired Master-Control Luminaire
MLVCD/S Low Voltage Controller with Dimming/Paired Satellite-Control Luminaire

LVC Wiring

F-8698 For 20L/50L
F-8697 For 20L/50L/8L

Options

LEL* Integral Emergency Battery Backup with Remote Test Button
FS Fuse & Holder

Accessories

T20 T20 Tamper-Resistant Torx Bit (D-0552)

[^] Paired installations shall be ordered with equal quantities of Type 'M' and 'S' units. AC power feed required to both. Lamp control originates from the LVC located in Master.
* LEL only available in Satellite (Right) unit.

ACCESSORIES ORDERED SEPARATELY

MPWS Low Voltage Wall Switch ([Click here for Specifications](#))



www.kenall.com | P: 800-4-Kenall | F: 262-891-9700 | 10200 55th Street Kenosha, Wisconsin 53144, USA
This product can comply with the latest domestic preference legislation, such as the Buy American Act (BAA), Trade Agreement Act (TAA), Build America, Buy America Act (BABA), and others. It may be covered by patents found at www.kenall.com/patents. Content of specification sheets is subject to change; please consult www.kenall.com for current product details. ©2024 Kenall Mfg. Co.

A brand of Legrand

BHAERS4-040324

Multi-Function Luminaires for Behavioral Health Applications

BHAERS4 SERIES

PERFORMANCE

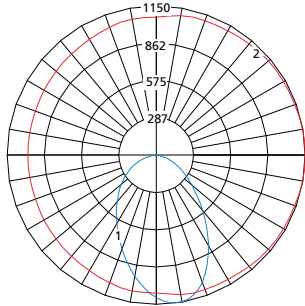
| Function | Lamp Power | Initial Delivered Lumens, by Lamp Color (lm) | | | | | | Efficacy (lm/W) | Input Power (W) | Estd. L70 LED Life (Hrs) |
|----------|------------|--|-------|-------|-------|-------|-------|-----------------|-----------------|--------------------------|
| | | 30K8 | 30K9 | 35K8 | 35K9 | 40K8 | 40K9 | | | |
| Ambient | 20L | 2,084 | 1,710 | 2,132 | 1,752 | 2,109 | 1,795 | 60 - 75 | 28 | 80,000 |
| Exam | 50L | 3,793 | 3,112 | 3,880 | 3,188 | 3,839 | 3,267 | 55 - 69 | 56 | 80,000 |
| Reading | 8L | 650 | 533 | 665 | 546 | 658 | 560 | 47 - 59 | 11 | 80,000 |

Information subject to change without notice. Visit www.kenall.com for IES files and additional information.

Model: BHAERS4-48-zz-LASYM-20L-50L-8L-40K8-DIM1-DV Ambient

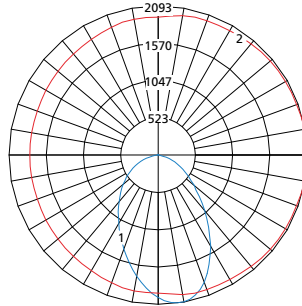
Model: BHAERS4-yy-LASYM-20L-50L-8L-40K8-DIM1-zzz Exam

Model: BHAERS4-yy-LASYM-20L-50L-8L-40K8-DIM1-zzz Reading



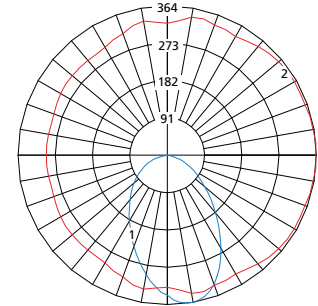
Maximum Candela = 1150 Located At Horizontal Angle = 0, Vertical Angle = 7.5

1 - Vertical Plane Through Horizontal Angles (0-180) (Through Max. Cd.)
2 - Horizontal Cone Through Vertical Angle (7.5) (Through Max. Cd.)



Maximum Candela = 2093 Located At Horizontal Angle = 0, Vertical Angle = 7.5

1 - Vertical Plane Through Horizontal Angles (0-180) (Through Max. Cd.)
2 - Horizontal Cone Through Vertical Angle (7.5) (Through Max. Cd.)

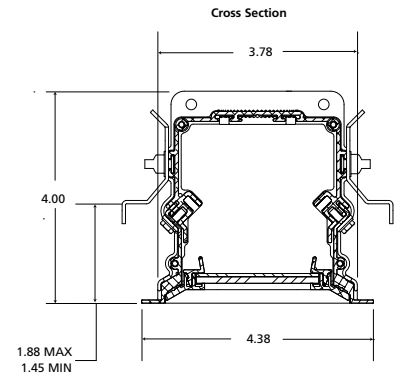
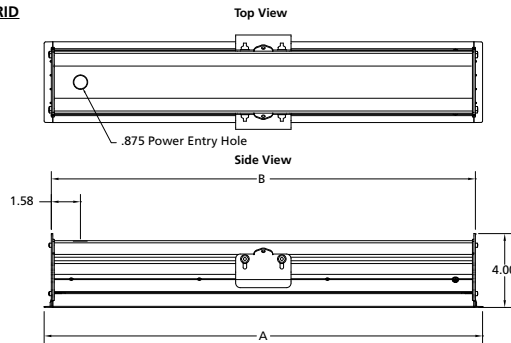


Maximum Candela = 364 Located At Horizontal Angle = 5, Vertical Angle = 10

1 - Vertical Plane Through Horizontal Angles (5-185) (Through Max. Cd.)
2 - Horizontal Cone Through Vertical Angle (10) (Through Max. Cd.)

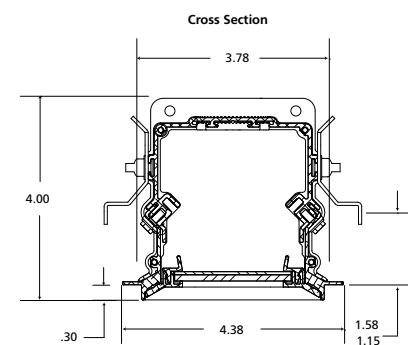
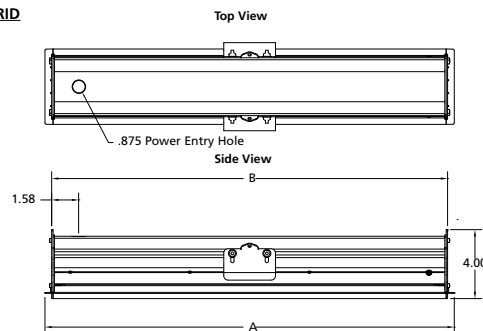
DIMENSIONAL DATA

LAY-IN GRID



| Nominal Length | Ceiling Configuration | A | B |
|----------------|-----------------------|--------|--------|
| 48 | LAY-IN GRID | 47.75" | 46.97" |
| | TEGULAR | 47.75" | 46.97" |

TEGULAR GRID



NOTE: Master units are provided with two (2) 0.875" holes on back of housing. Satellite units are supplied with one (1) 0.875" hole.



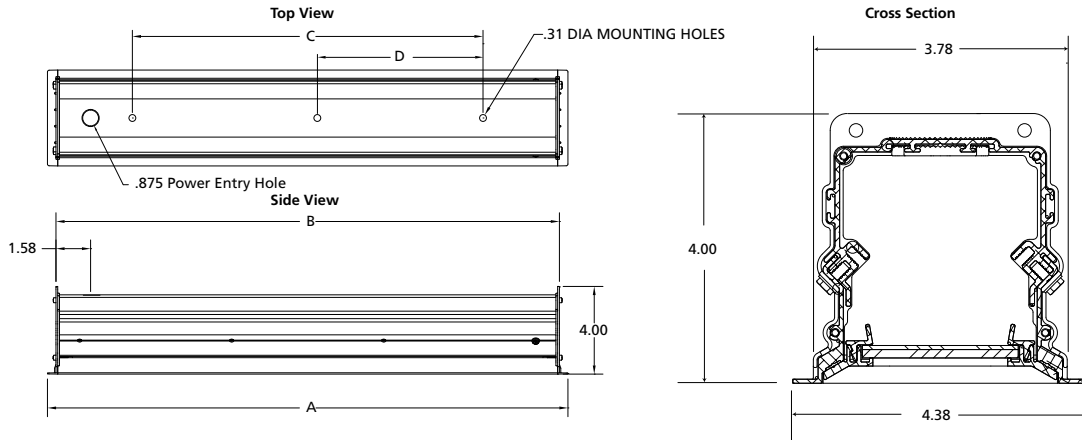
MEDMASTER® SAFESLOT™

Multi-Function Luminaires for Behavioral Health Applications

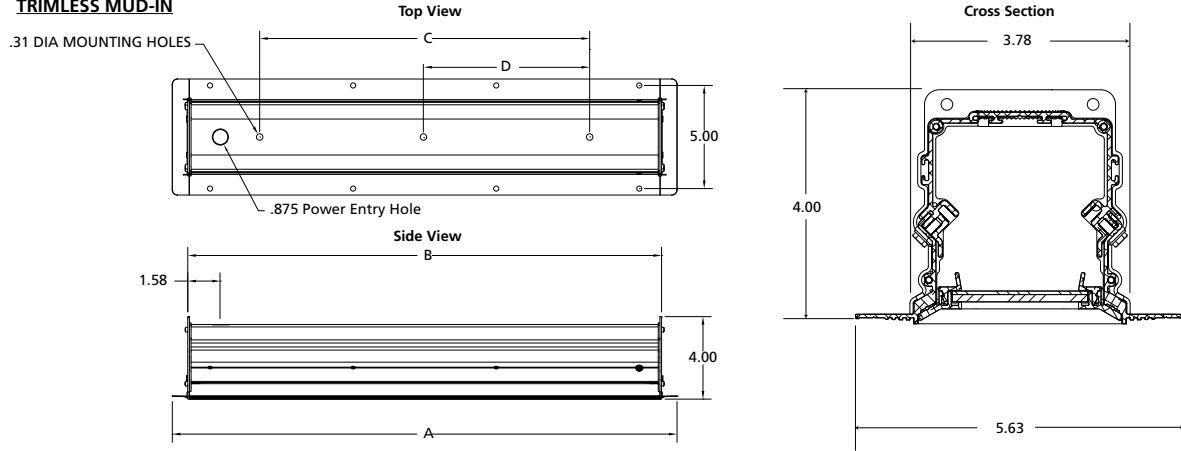
BHAERS4 SERIES

DIMENSIONAL DATA

FLANGE



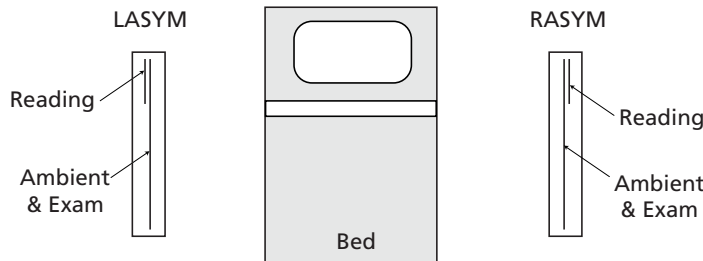
TRIMLESS MUD-IN



| Nominal Length | Ceiling Configuration | A | B | C | Ceiling Cut-Out |
|----------------|-----------------------|--------|--------|--------|-----------------|
| 48 | FLANGE | 47.75" | 46.97" | 40.00" | 3.875" x 47.25" |
| | TRIMLESS | 48.47" | 46.97" | 40.00" | |

NOTE: Master units are provided with two (2) 0.875" holes on back of housing. Satellite units are supplied with one (1) 0.875" hole.

LUMINAIRE ORIENTATION / LAYOUT (must be specified in pairs)



NOTE: The entry hole is located toward the headwall.



www.kenall.com | P: 800-4-Kenall | F: 262-891-9700 | 10200 55th Street Kenosha, Wisconsin 53144, USA
 This product can comply with the latest domestic preference legislation, such as the Buy American Act (BAA), Trade Agreement Act (TAA), Build America, Buy America Act (BABA), and others. It may be covered by patents found at www.kenall.com/patents. Content of specification sheets is subject to change; please consult www.kenall.com for current product details. ©2024 Kenall Mfg. Co.

A brand of **legrand**