

MEDMASTER®

Luminaires for Behavioral Health Applications

BHH SERIES

PRODUCT FEATURES:

- » Wall-mounted luminaire with bi-directional (up/down) illumination
- » Multi-function luminaire provides Ambient and Examination lighting within the patient room
- » Durable, die-cast and extruded aluminum construction and tamper-resistant fasteners
- » Diffused polycarbonate lenses with continuous lens retention
- » High-output, high-CRI LED lamp sources



SPECIFICATIONS

HOUSING: Extruded 6063-T5 aluminum construction with die-cast aluminum end caps. Low-gloss anti-microbial white TGIC polyester powder-coat finish with five-stage pre-treatment. Formed 14-gauge CRS baseplate secures the housing assembly to the mounting surface.

OPTIC: Diffused polycarbonate lens for up-light and down-light lambing. Isolated optical compartments prevent light-bleed between lambing functions. 3/16" nominal lens thickness with continuous lens retention.

LED MODULE: Serviceable mid-power LED array. Minimum 82 CRI standard (R9 >20). See Ordering Information for available color temperature options. Maximum 3-step MacAdam variation allowance.

LED DRIVER: 120-277VAC or 347VAC, 50/60Hz electrical input with serviceable constant-current driver (<10% THD, >0.90PF). Minimum 85% driver efficiency. Standard 0-10V dimming with 1-100% range and dim-to-dark capabilities (non dim-to-dark with 347V); maximum 330 µA maximum source current. Optional 0-10V dimming with 0.1%-100% range and dim-to-dark capabilities via eldoLED SOLOdrive series driver (n/a 347V input; ≤0.5V required from dimming control for dim-to-dark operation; 400µA max. source current). Optional eldoLED ECOdrive DALI drivers with 1-100% range. Optional Dual Circuit power and control wiring provides the ability to independently switch the up- and down-lighting functions. Standard configuration is for Single Circuit power and control wiring.

CONTROLS: Optional integral low-voltage controller with and without dimming (LVCD and LVC, respectively) capability through a compatible wall, bed or pillow speaker controller. When ordered in conjunction with the night light option, the low-voltage controller powers and controls the night light. Refer to hyperlinks within the Ordering Information for further details. See 'Accessories' for available low-voltage wall control switches.

INSTALLATION: Surface wall-mount installation over a recessed junction box. Internal mounting holes (hardware provided by others). Housing assembly attaches to baseplate via countersunk temper-resistant Torx fasteners. Suitable for 0°C to 25°C ambient temperature environments.

PHOTOMETRICS: Photometry tested to the IESNA LM-79-08 standard by an ILAC/ISO17025 accredited laboratory. For additional photometric data, please go to www.kenall.com.

WARRANTY: Limited five (5) year warranty.

LISTINGS/CERTIFICATIONS: Luminaire is certified to UL Standards by Intertek Testing Laboratory for Damp Location installations. Dust-tight to IP6x per IEC 60598 standard. NSF2 Splash/Non-Food Zone.



ORDERING INFORMATION (Ex: BHH-24-MW-22/22L-40K8-DIM1-S-DV)

| Model | Length | Finish | Lamp Power | Lamp Color | Driver Type | Lamp Controls | Voltage | Options |
|-----------------------|---------------------------------|--------|---------------------|---|-------------|---------------------------------|--|---------|
| BHH | | | | | | | | |
| Nominal Length | | | Lamp Color | | | Input Voltage | | |
| 24 | 24" Nominal | | 30K9 | 3000K / 90CRI min. | | DV | 120-277VAC, 50/60Hz | |
| 36 | 36" Nominal | | 35K8 | 3500K / 82CRI min. | | 347 | 347VAC, 60Hz (DIM1 only) | |
| 48 | 48" Nominal | | 35K9 | 3500K / 90CRI min. | | | | |
| | | | 40K8 | 4000K / 82CRI min. | | | | |
| | | | 40K9 | 4000K / 90CRI min. | | | | |
| Finish | | | Driver Type | | | Options | | |
| MW | Anti-Microbial Matte White | | DIM1 | 0-10V Dimming to 1% | | LEL | Integral 6W Emergency Battery Backup (n/a 347V and 24") | |
| WS | Warm Satin Painted Anodized | | DIM01 | 0-10V Dimming to 0.1% | | FS | Fuse | |
| CS | Cool Satin Painted Anodized | | DALI | DALI dimming to 1% | | NLW | 2700K White LED Night Light (n/a 347V) | |
| BR | Bronze | | | | | NLA | Amber LED Night Light (n/a 347V) | |
| BE | Beige | | | | | LVC* | Low-Voltage Controller (Click here for specifications) | |
| | | | | | | LVCD* | Low-Voltage Controller w/Dimming (Click here for specifications) | |
| Lamp Power | | | Lamp Control | | | ^ Not available with 45/45L | | |
| 22/22L | 22W LED Up / 22W LED Down (24") | | S^ | Single Circuit Power and Control Wiring (Lamping Operates Together) | | * DIM1 and DIM01 only, n/a 347V | | |
| 18/18L | 18W LED Up / 18W LED Down (36") | | | | | | | |
| 29/29L | 29W LED Up / 29W LED Down (36") | | D | Dual Circuit Power and Control Wiring (Lamping Operates Individually) | | | | |
| 27/27L | 27W LED Up / 27W LED Down (48") | | | | | | | |
| 45/45L | 45W LED Up / 45W LED Down (48") | | | | | | | |

ACCESSORIES ORDERED SEPARATELY
MPWS Low Voltage Wall Switch (Click [here](#) for Specifications)

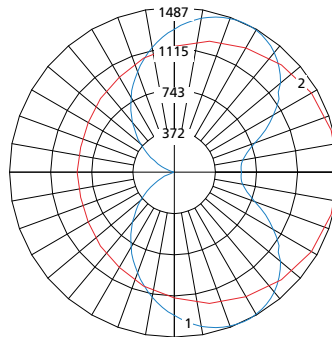


PERFORMANCE

| Length | Lamp Power | Mode | Initial Delivered Lumens, by CCT (lm) | | | | | | Efficacy (lm/W) | Input Power (W) | Estd. L70 LED Life (Hrs) |
|--------|------------|-----------|---------------------------------------|-------|-------|-------|-------|-------|-----------------|-----------------|--------------------------|
| | | | 30K8 | 30K9 | 35K8 | 35K9 | 40K8 | 40K9 | | | |
| 24 | 22/22L | Up Only | 1,738 | 1,562 | 1,597 | 1,426 | 1,853 | 1,716 | 61 - 79 | 24 | 80,000 |
| | | Down Only | 1,685 | 1,514 | 1,548 | 1,382 | 1,796 | 1,664 | 59 - 76 | 24 | |
| | | Up & Down | 3,418 | 3,072 | 3,141 | 2,804 | 3,644 | 3,376 | 60 - 78 | 47 | |
| 36 | 18/18L | Up Only | 1,605 | 1,443 | 1,475 | 1,317 | 1,711 | 1,585 | 63 - 82 | 21 | 95,000 |
| | | Down Only | 1,556 | 1,399 | 1,430 | 1,277 | 1,659 | 1,537 | 61 - 80 | 21 | |
| | | Up & Down | 3,158 | 2,838 | 2,902 | 2,590 | 3,366 | 3,118 | 63 - 82 | 41 | |
| | 29/29L | Up Only | 2,608 | 2,344 | 2,397 | 2,140 | 2,781 | 2,576 | 64 - 83 | 33 | 80,000 |
| | | Down Only | 2,528 | 2,272 | 2,324 | 2,074 | 2,696 | 2,497 | 62 - 81 | 33 | |
| | | Up & Down | 5,130 | 4,611 | 4,714 | 4,209 | 5,469 | 5,066 | 64 - 83 | 66 | |
| 48 | 27/27L | Up Only | 2,494 | 2,241 | 2,292 | 2,046 | 2,659 | 2,463 | 68 - 89 | 30 | 95,000 |
| | | Down Only | 2,418 | 2,173 | 2,222 | 1,983 | 2,577 | 2,387 | 66 - 86 | 30 | |
| | | Up & Down | 4,905 | 4,408 | 4,508 | 4,024 | 5,229 | 4,844 | 68 - 88 | 59 | |
| | 45/45L | Up Only | 3,699 | 3,324 | 3,399 | 3,034 | 3,943 | 3,653 | 67 - 87 | 46 | 80,000 |
| | | Down Only | 3,586 | 3,223 | 3,295 | 2,942 | 3,823 | 3,541 | 65 - 84 | 45 | |
| | | Up & Down | 7,276 | 6,539 | 6,686 | 5,969 | 7,757 | 7,185 | 66 - 86 | 90 | |
| All | NLW | Down Only | 25 | | | | | | n/a | 1 | 100,000 |
| | NLA | | 20 | | | | | | | 1 | 100,000 |

Information subject to change without notice. Visit www.kenall.com for IES files and additional information.

Model: BHH-48-MW-45/45L-40K8-DIM1-DV



Maximum Candela = 1487 Located At Horizontal Angle = 0, Vertical Angle = 25

- 1 - Vertical Plane Through Horizontal Angles (0-180) (Through Max. Cd.)
- 2 - Horizontal Cone Through Vertical Angle (25) (Through Max. Cd.)



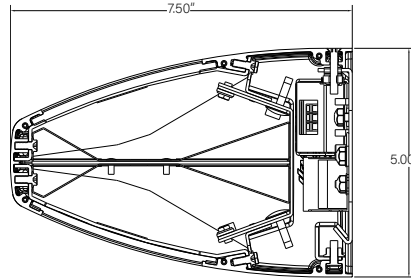
MEDMASTER™
 Luminaire for Behavioral Health Applications
BHH SERIES

For additional photometry, go to www.kenall.com

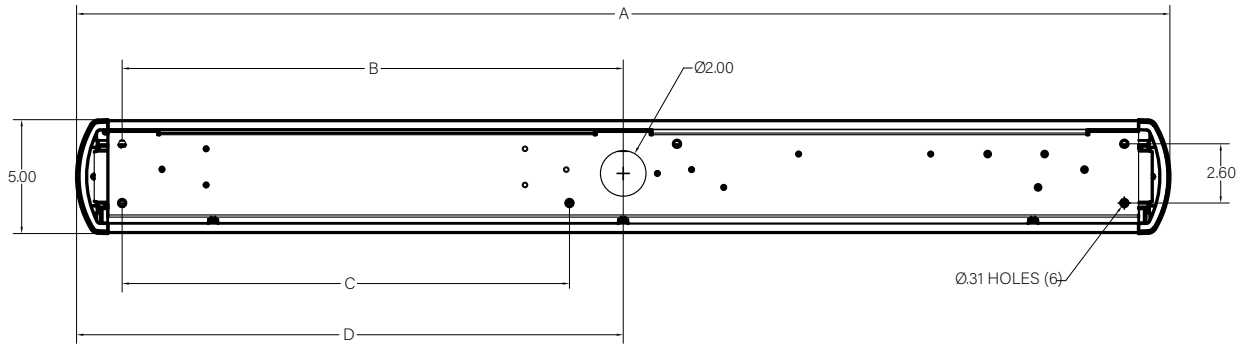
DIMENSIONAL DATA

| DIMENSIONAL DATA (IN INCHES) | | | | | |
|------------------------------|-------|-------|-------|-------|--------------|
| | A | B | C | D | Weight (lbs) |
| 24" | 24.00 | 10.00 | 7.64 | 12.00 | 14.2 |
| 36" | 36.00 | 16.00 | 13.64 | 18.00 | 20.8 |
| 48" | 48.00 | 22.00 | 19.64 | 24.00 | 27.2 |

CROSS SECTION



BACK VIEW



www.kenall.com | P: 800-4-Kenall | F: 262-891-9701 | 10200 55th Street Kenosha, Wisconsin 53144, USA

A brand of **legrand**

This product complies with the Buy American Act: manufactured in the United States with more than 50% of the component cost of US origin. It may be covered by patents found at www.kenall.com/patents. Content of specification sheets is subject to change; please consult www.kenall.com for current product details. ©2022 Kenall Mfg. Co.