

MEDMASTER® SAFESLOT™

Luminaires for Behavioral Health Applications

BHRS4 SERIES – Tunable White LED

PRODUCT FEATURES:

- » 4" recessed linear slot luminaire in multiple lengths
- » Single-function luminaire provides ambient lighting within the patient room
- » High-output, high-CRI LED lamp source with 2700K-6500K white tuning capability
- » Symmetric optical distribution type
- » One-piece doorframe with continuous lens retention and tamper-resistant fasteners
- » Ligature resistant construction



PROJECT INFORMATION

Job Name _____

Fixture Type _____

Catalog Number _____

Approved by _____

SPECIFICATIONS

HOUSING: Extruded 6063-T5 aluminum construction with aluminum endcaps. Low-gloss anti-microbial white TGIC polyester powder-coat finish with five-stage pre-treatment applied to exterior, room-side components.

DOORFRAME: One-piece extruded 6063-T5 aluminum outer frame with low-gloss anti-microbial white TGIC polyester powder-coat finish with five-stage pre-treatment. Inner aluminum extrusion continuously bonds lens to door. Closed-cell gasketing. Tamper-resistant T20 TORX fasteners secure doorframe to housing.

OPTIC: Symmetric (Lambertian) distribution. Diffused polycarbonate lens with 0.188" overall thickness.

LED MODULE: Serviceable tunable-white, mid-power LED array provides 2700K through 6500K CCT range with a two-point path. Minimum 82 CRI standard (R9 >20) with optional minimum 90 CRI (R9 >50).

DRIVER: 120-277VAC, 50/60Hz electrical input (PF ≥ 0.9, THD < 20%). Minimum 85% electrical efficiency. Serviceable, constant-current multi-channel programmable driver with dual analog (0-10V) control inputs for intensity and CCT. Optional DALI (Type 8) driver. Logarithmic intensity profile with 0.1-100% range, with dim-to-dark capabilities. Linear profile on CCT adjustment. Refer to charts on page 2 for further details.

INSTALLATION: Suitable for Insulation Contact (IC) recessed ceiling installation into 9/16" and 15/16" lay-in and tegular grid ceilings, flanged drywall ceilings and trimless mud-in installations with 5/8" drywall. See Ordering Information for selection. Suitable for 0°C - 40°C ambient temperature environments.

PHOTOMETRICS: Photometry tested to the IESNA LM-79-08 standard by an ILAC/ISO17025 accredited laboratory. For detailed photometric information, please visit www.kenall.com.

WARRANTY: Limited five (5) year warranty.

LISTINGS: Luminaire is certified to UL standards by Intertek Testing Laboratories for Type-IC and Wet Location installations. IP65 rating per IEC60598. NSF2 Splash/Non-Food Zone rated. Standard CCEA compliance. Ligature resistant construction.



ORDERING INFORMATION (Ex: BHRS4-48-FL-SYM-1000LFT-27/65K9-ATW-DV-LVCD/M-FS)

Model	Length	Ceiling Configuration	Optical Distribution	Lumen Output	Lamp Color	Driver Type	Voltage	Low-Voltage Controller	LVC Master / Satellite	Options	Accessories
BHRS4			SYM				DV		/		
Nominal Length			Optical Distribution			Low-Voltage Controller (Optional)					
24	2'		SYM	Symmetric	LVC▲ Low Voltage Controller (click here for specifications)						
48	4'		Lumen Output			LVCD▲ Low Voltage Controller with Dimming (click here for specifications)					
96	8'		500LFT	500 lumens/ft	LVC Master/Satellite for Paired Installations▲						
Ceiling Configuration			750LFT	750 lumens/ft	M Paired 'Master-Control' Luminaire						
G	9/16" and 15/16" Lay-In Grid		1000LFT	1000 lumens/ft	S Paired 'Satellite-Control' Luminaire						
TG	9/16" and 15/16" Tegular Grid		Lamp Color			Options					
FL	Flange		27/65K8	2700K-6500K CCT Range (82 CRI min.)	LEL* Integral Emergency Battery Backup with Remote Test Button						
TM	Trimless Mud-In for 5/8" Drywall		27/65K9	2700K-6500K CCT Range (92 CRI min.)	FS Fuse & Holder						
			Driver Type			Accessories					
			ATW	Analog (0-10V) Dimming Tunable White Driver	T20 T20 Tamper-Resistant Torx Bit (D-0552)						
			DTW	DALI Tunable White Driver	▲ Low voltage controller wired to provide ON/OFF control (and dimming control when ordered with LVCD) via compatible wall/bed controls. CCT adjustment controlled separately. ATW Driver Type only.						
			DMX	DMX Tunable White Driver (Consult Factory)	^ N/A for products not configured with an LVC option. Paired installations shall be ordered with equal quantities of Type 'M' and 'S' units. AC power feed required to both. Lamp control originates from LVC located in the Master unit. CCT signal wiring must be fed to both luminaires (LVC not used for CCT control). Control wiring method between luminaires supplied by others.						
			Input Voltage			• LEL only available in Satellite unit when ordered in conjunction with an LVC or LVCD controller.					
			DV	120-277VAC, 50/60Hz							

ACCESSORIES ORDERED SEPARATELY

MPWS* Low Voltage Wall Switch (Click [here](#) for Specifications)

* Not suitable for placement into high-risk environments



www.kenall.com | P: 800-4-Kenall | F: 262-891-9700 | 10200 55th Street Kenosha, Wisconsin 53144, USA
 This product can comply with the latest domestic preference legislation, such as the Buy American Act (BAA), Trade Agreement Act (TAA), Buy America Act (BABA), and others. It may be covered by patents found at www.kenall.com/patents. Content of specification sheets is subject to change; please consult www.kenall.com for current product details. ©2024 Kenall Mfg. Co.

A brand of **Legrand**

MEDMASTER® SAFESLOT™

Luminaires for Behavioral Health Applications

BHRS4 SERIES – Tunable White LED

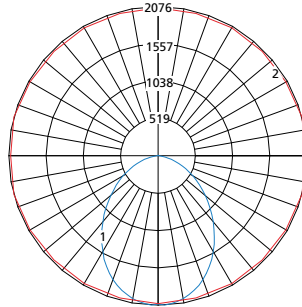
PERFORMANCE

Delivered Lumens at 4000K Tuning, by Lamp Color (lm/ft)

Distribution Type	Nominal Lumen Output	27/65K8	27/65K9	Efficacy (lm/W)	Unit Input Power (W/ft)	Estd. L70 LED Life (Hrs)
SYM	500LFT	559	451	64 - 80	7	80,000
	750LFT	780	629	64 - 80	10	80,000
	1000LFT	1,035	835	62 - 77	13	80,000

Nominal Lumen Output values based on 27/65K8 lamp color. Information subject to change without notice. Visit www.kenall.com for IES files and additional information.

Model: BHRS4-48-yy-SYM-1000LFT-27-65K8-DIM1-zzz



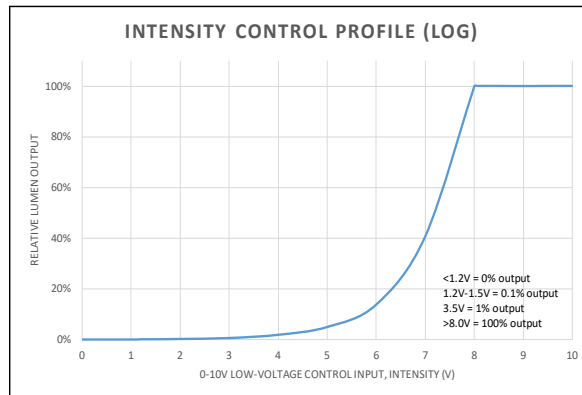
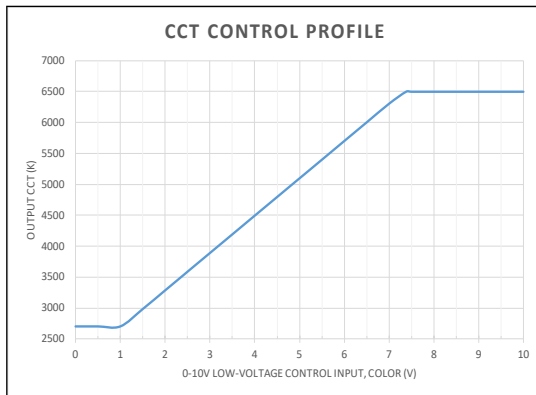
Maximum Candela = 2076 Located At Horizontal Angle = 15, Vertical Angle = 2.5

— 1 - Vertical Plane Through Horizontal Angles (15-195) (Through Max. Cd.)
 — 2 - Horizontal Cone Through Vertical Angle (2.5) (Through Max. Cd.)

PERFORMANCE SCALING, BY LAMP COLOR

CCT (K)	27/65K8					27/65K9				
	LUMEN SCALE FACTOR	Ra	R9	Rf	Rg	LUMEN SCALE FACTOR	Ra	R9	Rf	Rg
2700	0.92	83	10	83	97	0.95	92	57	89	98
3000	0.95	84	15	83	98	0.97	94	70	91	99
3500	0.99	86	23	84	98	0.99	95	77	92	99
4000	1.00	86	26	84	98	1.00	96	83	92	99
4600	1.00	86	28	84	98	1.00	96	90	92	100
5000	1.01	86	25	83	98	1.01	96	96	91	101
5700	0.99	85	23	82	98	0.99	96	96	91	100
6500	0.99	84	16	82	96	0.99	96	96	90	100

CCT AND INTENSITY ADJUSTMENT PROFILE - ATW DRIVER TYPE



NOTE: The provided information is the typical expected performance of a single luminaire. Additional luminaires on the same 0-10V line may result in different control profiles. Fine tuning of system performance should be completed after installation is complete. To avoid CCT shift between luminaires, care should be taken to minimize voltage drop on the CCT Control line. It is recommended to limit the load on the CCT control circuit to twenty (20) luminaires or less.



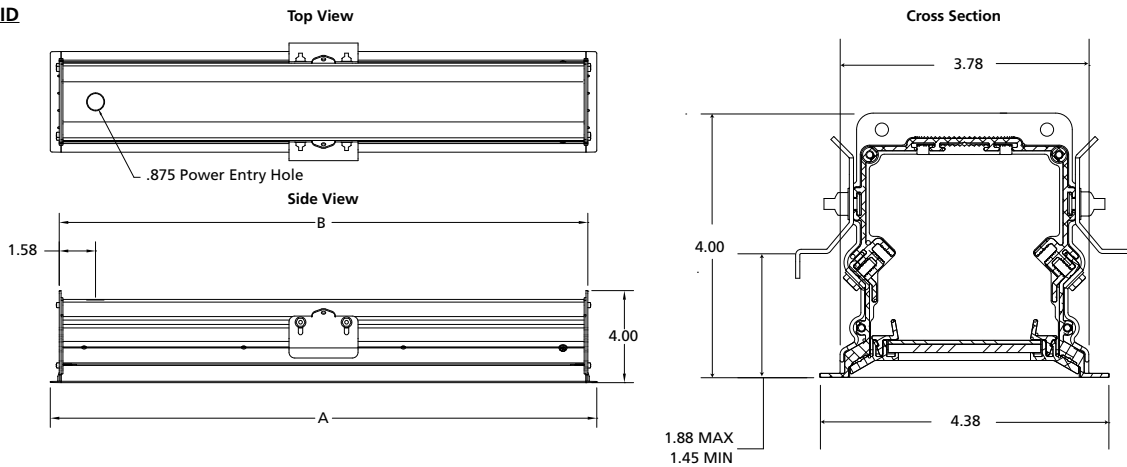
www.kenall.com | P: 800-4-Kenall | F: 262-891-9700 | 10200 55th Street Kenosha, Wisconsin 53144, USA
 This product can comply with the latest domestic preference legislation, such as the Buy American Act (BAA), Trade Agreement Act (TAA), Buy America Act (BABA), and others. It may be covered by patents found at www.kenall.com/patents. Content of specification sheets is subject to change; please consult www.kenall.com for current product details. ©2024 Kenall Mfg. Co.

A brand of Legrand

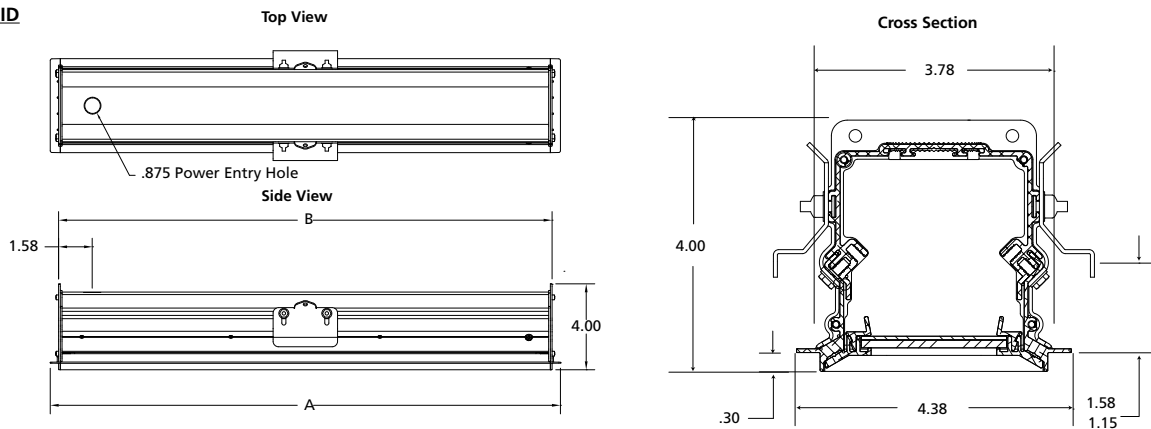
MEDMASTER® SAFESLOT™
 Luminaires for Behavioral Health Applications
BHRS4 SERIES – Tunable White LED

DIMENSIONAL DATA

LAY-IN GRID



TEGULAR GRID



Nominal Length	Ceiling Configuration	A	B
24	LAY-IN GRID	23.75"	22.97"
	TEGULAR	23.75"	22.97"
48	LAY-IN GRID	47.75"	46.97"
	TEGULAR	47.75"	46.97"
96	LAY-IN GRID	95.75"	94.97"
	TEGULAR	95.75"	94.97"

NOTE: Standard (non-LVC) and LVC Satellite units supplied with one (1) 0.875" hole on back of housing. When ordered with the LVC or LVCD option, the Master unit is provided with two (2) 0.875" holes.



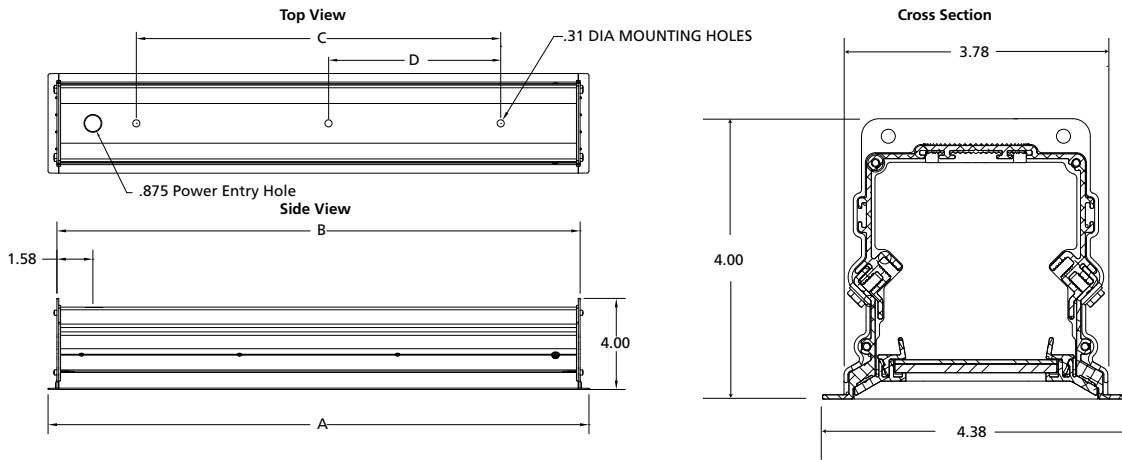
www.kenall.com | P: 800-4-Kenall | F: 262-891-9700 | 10200 55th Street Kenosha, Wisconsin 53144, USA
 This product can comply with the latest domestic preference legislation, such as the Buy American Act (BAA), Trade Agreement Act (TAA), Build America, Buy America Act (BABA), and others. It may be covered by patents found at www.kenall.com/patents. Content of specification sheets is subject to change; please consult www.kenall.com for current product details. ©2024 Kenall Mfg. Co.

A brand of **legrand**

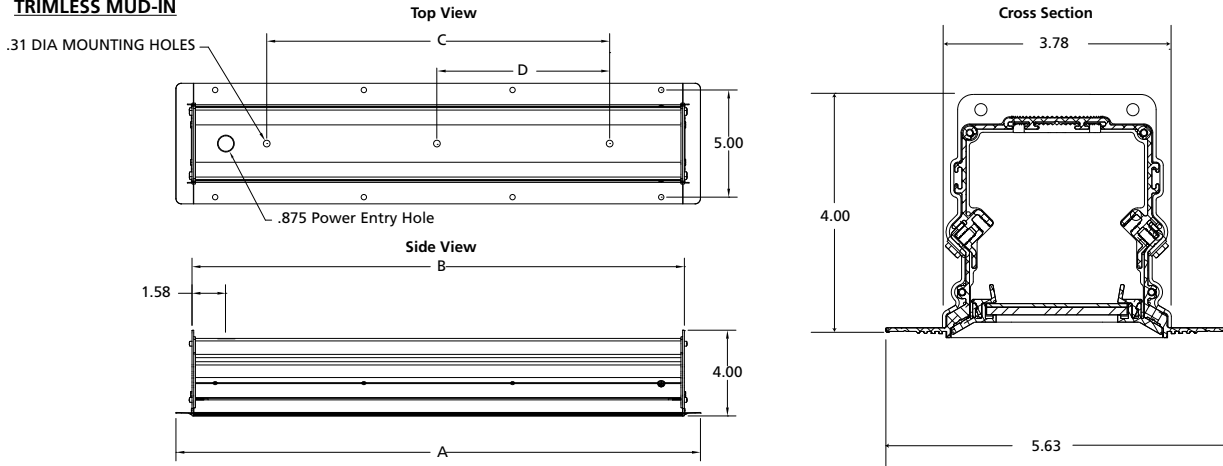
MEDMASTER® SAFESLOT™
 Luminaires for Behavioral Health Applications
BHRS4 SERIES – Tunable White LED

DIMENSIONAL DATA

FLANGE



TRIMLESS MUD-IN



Nominal Length	Ceiling Configuration	A	B	C	D	Ceiling Cut-Out
24	FLANGE	23.75"	22.97"	16.00"	----	3.875" x 23.25"
	TRIMLESS	24.47"	22.97"	16.00"	----	
48	FLANGE	47.75"	46.97"	40.00"	----	3.875" x 47.25"
	TRIMLESS	48.47"	46.97"	40.00"	----	
96	FLANGE	95.75"	94.97"	88.00"	44.00"	3.875" x 95.25"
	TRIMLESS	96.47"	94.97"	88.00"	44.00"	

NOTE: Standard (non-LVC) and LVC Satellite units supplied with one (1) 0.875" hole on back of housing. When ordered with the LVC or LVCD option, the Master unit is provided with two (2) 0.875" holes.



www.kenall.com | P: 800-4-Kenall | F: 262-891-9700 | 10200 55th Street Kenosha, Wisconsin 53144, USA
 This product can comply with the latest domestic preference legislation, such as the Buy American Act (BAA), Trade Agreement Act (TAA), Build America, Buy America Act (BABA), and others. It may be covered by patents found at www.kenall.com/patents. Content of specification sheets is subject to change; please consult www.kenall.com for current product details. ©2024 Kenall Mfg. Co.

A brand of **legrand**