

MIGHTY MAC™

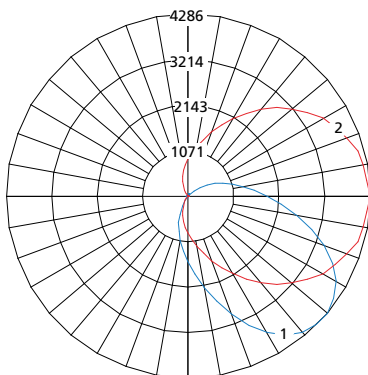
CC SERIES

PERFORMANCE

Model	Lamp Type	Initial Delivered Lumens		Input Power (W)	Drive Current (mA)	Estd. L70 LED Life (Hrs)
		@ 25°C	Efficacy (lm/W)			
CC-2	25L30K	2,199	77	28	117	80,000
	25L35K	2,267	80	28	117	80,000
	25L40K	2,345	83	28	117	80,000
	25L50K	2,438	86	28	117	80,000
CC-4	45L30K	4,164	90	47	100	80,000
	45L35K	4,293	92	47	100	80,000
	45L40K	4,439	95	47	100	80,000
	45L50K	4,621	99	47	100	80,000
	67L30K	6,649	89	74	75	80,000
	67L35K	6,854	92	74	75	80,000
	67L40K	7,088	95	74	75	80,000
	67L50K	7,379	99	74	75	80,000
	90L30K	8,210	85	97	100	80,000
	90L35K	8,464	87	97	100	80,000
	90L40K	8,753	90	97	100	80,000
	90L50K	9,112	94	97	100	80,000

NOTE: All products tested with SYM/B lens configuration. See "Lumen Output Scaling Factor" table for output values with alternate lens configurations. Information subject to change without notice. Visit www.kenall.com for IES files and additional information.

Model: CC-4-x-y-90L40K-DCC-z-SYM-B-1



Maximum Candela = 4286 Located At Horizontal Angle = 0, Vertical Angle = 50

- 1 - Vertical Plane Through Horizontal Angles (0-180) (Through Max. Cd.)
- 2 - Horizontal Cone Through Vertical Angle (50) (Through Max. Cd.)

LUMEN OUTPUT SCALING FACTORS

Lens Configuration	Inner Lens	Outer Lens	Scaling Factor
SYM/G	1/8" Frost Acrylic	1/8" Clear PC	1.10
SYM/7		3/16" Clear PC	1.06
SYM/8		3/16" Clear TG	1.06
SYM/9		1/4" Clear PC	1.03
SYM/B		3/8" Clear PC	1.00
SYM/C		3/8" Clear TG	1.03
SYM/J		1/2" Clear PC	0.99
1/G	1/8" Prismatic Acrylic	1/8" Clear PC	1.04
1/9		1/4" Clear PC	0.99
1/B		3/8" Clear PC	0.99
2/J		1/2" Clear PC	0.87

NOTE: Use this table to determine the lumen output and efficacy of the desired lens configuration by multiplying the provided value with the appropriate number in the "Performance" table above.



www.kenall.com | P: 800-4-Kenall | F: 262-891-9701 | 10200 55th Street Kenosha, Wisconsin 53144, USA

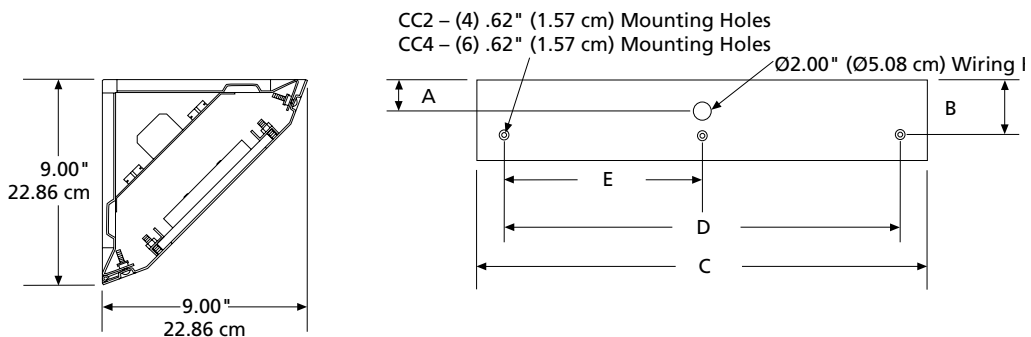
A brand of Legrand

This product complies with the Buy American Act: manufactured in the United States with more than 50% of the component cost of US origin. It may be covered by patents found at www.kenall.com/patents. Content of specification sheets is subject to change; please consult www.kenall.com for current product details. ©2022 Kenall Mfg. Co.

MIGHTY MAC™

CC SERIES

DIMENSIONAL DATA



DIMENSIONAL DATA (IN INCHES/CM)					
	A	B	C	D	E
CC2	3.50/8.89	6.00/15.24	26.00/66.04	20.00/50.80	—
CC4	3.50/8.89	6.00/15.24	50.00/127	43.87/111	21.94/55.73

