

MIGHTY MAC™

CD SERIES

PRODUCT FEATURES:

- » Corner mount, hinged door
- » Available in 8" x 24" and 48" lengths
- » Vertically adjustable 2-bracket lens retention via 6" thru-stud spacing



PROJECT INFORMATION

Job Name _____

Fixture Type _____

Catalog Number _____

Approved by _____

SPECIFICATIONS

HOUSING: One piece die-formed prime grade material as specified – see Ordering Information. Corners continuously seam welded and smooth with no post grinding (TIG).

LENS: As specified – maximum total thickness .625" – see Ordering Information. Kenall recommends a clear outer lens with a prismatic, textured or diffused inner lens. Two clear lenses used in combination cannot be provided.

LENS RETENTION: Vertically adjustable continuous "Z" brackets of prime grade material, secured to housing via thru-studs (6" maximum spacing).

DOOR: One-piece die-formed prime grade material as specified – see Ordering Information.

HINGE: Staked and welded external piano hinge (1/2" knuckle/ 1/8" diameter pin) standard. See options for Full Length Internal Hinge (IHF).

FASTENERS: Hardened stainless steel security screws as specified – see Ordering Information. Fully recessed.

LUMINOUS SEAL: Polyurethane foam prevents light leaks from luminaire base.

FINISH: TGIC polyester powder coat – 5-stage pre-treatment. Salt spray test: 1,000 hours; Reflectance: 92%.

ELECTRICAL: LED only: Available 3000K, 3500K, 4000K and 5000K color temperatures, 82 CRI. 120-277VAC or 347VAC, 50/60Hz electrical input with serviceable high power factor electronic, constant-current driver (<20% THD, >0.95 PF). Standard 0-10V dimming with 1-100% range and dim-to-dark capabilities (non-dim-to-dark with 347V); 330 µA max. source current. LF: Lamp quantity and type as specified – see Ordering Information. Lamps supplied by others. Ballast quantity and type as specified – see Ordering Information. All ballasts UL listed class P. Optional removable reflector/lamp/ballast tray with quick disconnect.

SENSOR & CONTROLS: Optional sensor available with compatible third party controls. To see the full list of compatible controls, click [here](#).

WARRANTY: Limited five (5) year warranty on LED lamps.

LISTINGS: EL: UL and CUL Listed for Damp Locations. LED: Luminaire is certified to UL1598 and UL8750 standards by Intertek Testing Services for Damp Locations. See Ordering Information for optional Wet Location rating.



ORDERING INFORMATION (Ex: CD-2-0/0-25L35K-DCC-DV-SYM/B-1-FS)

Model	Size	Housing/Door	Lamp Qty	Lamp Type	Driver/Ballast Type	Ballast Qty	Voltage	Lens (Inner/Outer)	Fasteners	Options
CD		/						/		
Nominal Size		Lamp Type		Ballast Quantity (n/a with LED)			Fastener			
2	8" x 24"	2' Nominal Length		1	One	1 Torx® T-20 Head w/ Center Pin				
4	8" x 48"	25L30K 25 Watt 3500K LED		2	Two	2 Allen Head w/ Center Pin				
Housing/Door Material				Voltage			Options			
0	14-Ga CRS (Painted White)	25L35K 25 Watt 3500K LED		120	120 Volts	EL• Standard Lumen EL Pack				
1	16-Ga CRS (Painted White)	25L40K 25 Watt 4000K LED		277	277 Volts	LEL† Integral 8.4W Emergency Battery Backup (4' only, 45L max; n/a 347V, 0°C min ambient)				
2*	18-Ga CRS (Painted White)	25L50K 25 Watt 5000K LED		347	347 Volts	LELST Integral 6W Self-Testing Emergency Battery Backup (4' only, 45L max; n/a 347V, 0°C min ambient)				
3	14-Ga SS (Painted White)	17 F17T8		DV	120-277 Volts	DLN LED Night Light w/Light Level Control (100% - 20%; voltage-specific selection required, n/a with 347V)				
4	16-Ga SS (Painted White)	4' Nominal Length		Lens (Inner/Outer)‡			FS Single Fuse & Holder			
6	14-Ga SS (Brushed)	45L30K 45 Watt 3000K LED		SYM» Symmetric, Diffused DR Acrylic			IHF Full Length Internal Hinge			
7	16-Ga SS (Brushed)	45L35K 45 Watt 3500K LED		0 No Lens			KO 1/2" (1.27cm) EMT Knockout			
Lamp Quantity (n/a with LED)				1 .125" Prismatic Acrylic			RGT Removable Gear Tray			
1	One	45L40K 45 Watt 4000K LED		2 .125" Textured Polycarbonate			SK Speaker Housing Extension			
2	Two	45L50K 45 Watt 5000K LED		3 .125" Textured Polycarbonate			WL Wet Location Listed			
3	Three	67L30K 67 Watt 3000K LED		4 .125" Clear Polycarbonate						
		67L35K 67 Watt 3500K LED		4 .156" Prismatic Polycarbonate						
		67L40K 67 Watt 4000K LED		TG .250" Textured Tempered Glass						
		67L50K 67 Watt 5000K LED		6 .187" Prismatic Polycarbonate						
		90L30K 90 Watt 3000K LED		7 .187" Clear Polycarbonate						
		90L35K 90 Watt 3500K LED		8 .187" Clear Tempered Glass						
		90L40K 90 Watt 4000K LED		9 .250" Clear Polycarbonate						
		90L50K 90 Watt 5000K LED		A .250" Clear Tempered Glass						
		28 F28T5		B .375" Clear Polycarbonate						
		32 F32T8		C .375" Clear Tempered Glass						
		54 F54T5HO		J .500" Clear Polycarbonate						
				P .500" Clear Tempered Glass						
		Driver/Ballast Type								
		DCC† Dimming Constant Current LED Driver								
		IS Instant Start Electronic <10% THD (T8)								
		RS Rapid Start Electronic <10% THD (T8, T5, T5HO)								



www.kenall.com | P: 800-4-Kenall | F: 262-891-9701 | 10200 55th Street Kenosha, Wisconsin 53144, USA

This product complies with the Buy American Act: manufactured in the United States with more than 50% of the component cost of US origin. It may be covered by patents found at www.kenall.com/patents. Content of specification sheets is subject to change; please consult www.kenall.com for current product details. ©2022 Kenall Mfg. Co.

A brand of **Legrand**

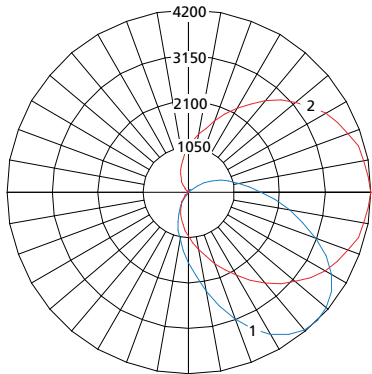
CD SERIES

PERFORMANCE

Model	Lamp Type	Initial Delivered Lumens		Input Power (W)	Drive Current (mA)	Estd. L70 LED Life (Hrs)
		@ 25°C	Efficacy (lm/W)			
CD-2	25L30K	2,151	76	28	117	80,000
	25L35K	2,217	78	28	117	80,000
	25L40K	2,293	81	28	117	80,000
	25L50K	2,385	84	28	117	80,000
CD-4	45L30K	4,072	88	46	100	80,000
	45L35K	4,198	91	46	100	80,000
	45L40K	4,341	94	46	100	80,000
	45L50K	4,519	97	46	100	80,000
	67L30K	6,502	87	74	75	80,000
	67L35K	6,703	90	74	75	80,000
	67L40K	6,932	93	74	75	80,000
	67L50K	7,216	97	74	75	80,000
	90L30K	8,030	83	97	100	80,000
	90L35K	8,278	86	97	100	80,000
	90L40K	8,560	88	97	100	80,000
	90L50K	8,911	92	97	100	80,000

NOTE: All products tested with SYM/B lens configuration. See "Lumen Output Scaling Factor" table for output values with alternate lens configurations. Information subject to change without notice. Visit www.kenall.com for IES files and additional information.

Model: CD-4-x-y-90L40K-DCC-z-SYM-B-1



Maximum Candela = 4200 Located At Horizontal Angle = 0, Vertical Angle = 45

- 1 - Vertical Plane Through Horizontal Angles (0-180) (Through Max. Cd.)
- 2 - Horizontal Cone Through Vertical Angle (45) (Through Max. Cd.)

LUMEN OUTPUT SCALING FACTORS

Lens Configuration	Inner Lens	Outer Lens	Scaling Factor
SYM/G	1/8" Frost Acrylic	1/8" Clear PC	1.10
SYM/7		3/16" Clear PC	1.06
SYM/8		3/16" Clear TG	1.06
SYM/9		1/4" Clear PC	1.03
SYM/B		3/8" Clear PC	1.00
SYM/C		3/8" Clear TG	1.03
SYM/J		1/2" Clear PC	0.99
1/G	1/8" Prismatic Acrylic	1/8" Clear PC	1.04
1/9		1/4" Clear PC	0.99
1/B		3/8" Clear PC	0.99
2/J	1/8" Prismatic PC	1/2" Clear PC	0.87

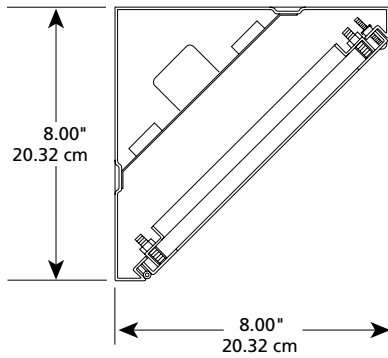
NOTE: Use this table to determine the lumen output and efficacy of the desired lens configuration by multiplying the provided value with the appropriate number in the "Performance" table above.



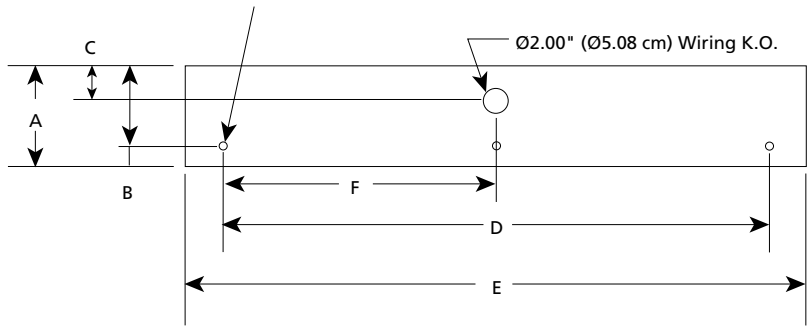
MIGHTY MAC™

CD SERIES

DIMENSIONAL DATA



CD2 – (4) .62" (1.57 cm) Mounting Holes
 CD4 – (6) .62" (1.57 cm) Mounting Holes



DIMENSIONAL DATA (IN INCHES/CM)						
	A	B	C	D	E	F
CD2	8.00/20.32	6.43/16.33	2.75/6.99	19.50/49.53	25.37/64.44	—
CD4	8.00/20.32	6.43/16.33	2.75/6.99	43.50/110	49.37/125	21.75/55.25

