

SIMPLESEAL™ NARROW SPECTRUM

CSEDI SERIES –Amber & White LED – INSET DOOR

PROJECT INFORMATION

Job Name _____

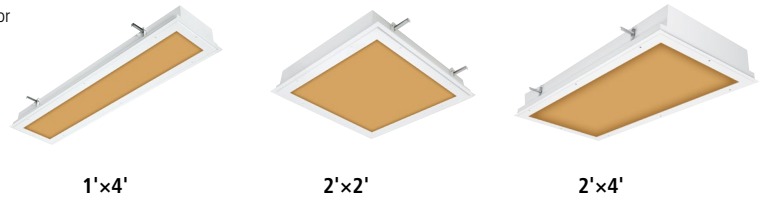
Fixture Type _____

Catalog Number _____

Approved by _____

PRODUCT FEATURES:

- » Narrow-spectrum 570nm amber LED circuit provides only high-purity light without UV for spectrally-sensitive applications
- » Available high-output, high-CRI white LED circuit provides visual acuity and accurate color rendition
- » Diffused high-efficiency lens for reduced glare
- » One-piece inset doorframe, secured to housing with aircraft cables
- » Suitable for universal installation into 1.0" and 1.5" grid or flange (drywall) ceilings



SPECIFICATIONS

HOUSING: Standard 24-gauge (optional 20-gauge) cold rolled steel, hole-free, one-piece, seam-welded construction. 18-gauge housing flange with mitered and welded corners. White TGIC polyester powder coat finish – 5-step pre-treatment. Salt spray test: 1,000 hours; Reflectance: 92%.

DOORFRAME: 18-gauge CRS. One-piece inset-style construction with welded corners. Gloss white TGIC polyester powder coat finish with 5-stage pre-treatment. Doorframe secured to housing with stainless steel aircraft cables and captive, flush-mounted Phillips-head fasteners. Closed-cell silicone gasket seals doorframe to housing.

OPTICS: Symmetric optic includes diffused, impact-resistant acrylic lens.

DOORFRAME GASKET: One-piece closed cell extruded Nitrile gasket seals doorframe to housing and ceiling structure.

ELECTRICAL: Replaceable 570nm amber (115 nm FWHM bandwidth) mid-power LED arrays produce no Ultraviolet and less than 0.019 watts of light below 480nm. Available separately circuited white mid-power LED arrays in 3500K, 4000K and 5000K color temperatures with maximum 3-step MacAdam variation allowance. Minimum 82 CRI. 120/277VAC or 347VAC, 50/60Hz electrical input with replaceable high power factor electronic, constant-current driver (<10% THD, >0.90 PF). Minimum 85% driver efficiency. Standard 0-10V dimming with 1-100% range on white and amber circuits with dim-to-dark capabilities (non dim-to-dark with 347V; 495µA maximum source current per circuit). Optional 0-10V dimming with 0.1-100% range and dim-to-dark capabilities via eldoLED SOLoDrive series driver (n/a 347V input; ≤0.5V required from dimming control for dim-to-dark operation; 600µA max. source current). White circuit and amber circuit can be independently powered and dimmed.

INSTALLATION: Non-IC recessed ceiling mounting into grid and flange application types. Flange installation utilizes included adjustable swing-out mounting brackets. Grid installation suitable for 1" and 1.5" T-bar ceilings. Universal installation into grid or flange (drywall) ceiling applications. See Options for continuous row mounting and install frames.

PHOTOMETRICS: Photometry tested to the IESNA LM-79-08 standard. For additional photometric data, please go to www.kenall.com.

WARRANTY: Limited five (5) year warranty.

LISTINGS: Luminaire is certified to UL standards by Intertek Testing Laboratories for Wet Location. Certified IP65 per IEC 60598. CCEA Approved. FED-STD-209E/Class 1 (ISO 3) Cleanrooms. Suitable for BSL 1-2 laboratories. Suitable for EU GMP Grade A cleanrooms.



ORDERING INFORMATION (Ex: CSEDI-24-45AD/90L-40K8-DIM1-DV-2F-2H-SYM)

Model	Size	Lamp Power	Lamp Color	Driver	Voltage	Doorframe	Housing	Optics	Options
CSEDI								SYM	
Size		Lamp Power		Driver Type				Optics	
14	1'x4'	1'x4'		DIM1	0-10V Dimming to 1%			SYM	Symmetric, Diffused DR Acrylic
22	2'x2'	45A/45L	45W Amber/45W White	DIM01	0-10V Dimming to 0.1% (n/a with 347V)				
24	2'x4'	45A	45 Watt Amber Only					Options	
		90A	90 Watt Amber Only					LEL*	8.4W Emergency Integral Battery Backup
				Voltage				AMF*	Antimicrobial Finish
		2'x2'		DV	120-277VAC, 50/60Hz			FS	Fuse & Holder
		45AD/45LD	45W Amber/ 45W White (dual-row)	120	120VAC			HJ	Sealed Wireway
		45AD	45 Watt Amber Only (dual-row)	277	277VAC			RM†	Continuous Row Mounting
		90A	90 Watt Amber Only	347	347VAC				
				Doorframe Options				Accessories	
		2'x4'		5F	20-Ga Type 304 SS			IF*†	Install Frame
		45AD/45LD	45W Amber/45W White (dual-row)	2F	18-Ga CRS (STD)				
		45AD/67L	45W Amber/67W White (dual-row)	AF	Anodized Aluminum				
		45AD/90L	45W Amber/90W White (dual-row)	PAF	.063" Painted Fabricated Aluminum				
		90A/90L	90W Amber/90W White						
		45AD	45 Watt Amber Only (dual-row)	Housing Options					
		90A	90 Watt Amber Only	4H	24-Ga CRS (STD)				
		135A	135 Watt Amber Only	2H	20-Ga CRS				
				5H	20-Ga Type 304 SS				
		White Lamp Color		PAH	.050" Painted Aluminum				
		35K8	3500K, 82 CRI						
		40K8	4000K, 82 CRI						
		50K8	5000K, 82 CRI						

* Add .375" to ceiling cut out dimensions
† Only available when installed in drywall ceilings (flange mount)
• Voltage specific selection required; n/a with 347V. Wired to Amber LED when amber/white lamping is selected. Height of fixture is 5.875" with LEL option. 0°C/32°F min operating environment
▼ Applied only to exposed painted surfaces of luminaire (not available on stainless steel doorframes)
▲ Applied only to exposed painted surfaces of luminaire (not available on stainless steel doorframes)



www.kenall.com | P: 800-4-Kenall | F: 262-891-9701 | 10200 55th Street Kenosha, Wisconsin 53144, USA

A brand of **Legrand**

This product complies with the Buy American Act: manufactured in the United States with more than 50% of the component cost of US origin. It may be covered by patents found at www.kenall.com/patents. Content of specification sheets is subject to change; please consult www.kenall.com for current product details. ©2022 Kenall Mfg. Co.

SIMPLESEAL™

CSEDI SERIES –Amber & White LED – INSET DOOR

PERFORMANCE

Amber/White

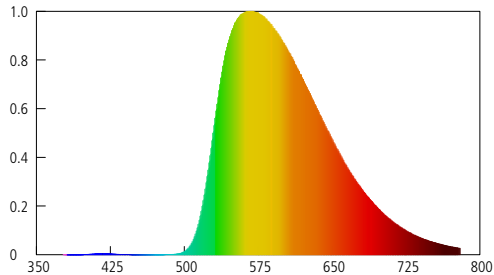
Size	Lamp Code	Amber Circuit			White Circuit			Amber/White Estd. L ₇₀ LED Life (hrs)
		Delivered lumens @ 25°C (lm)	Efficacy (lm/W)	Input Power (W)	Delivered lumens @ 25°C (lm)	Efficacy (lm/W)	Input Power (W)	
1' × 4'	45A/45L-35K8	6,006	123	49	5,403	110	49	60,000 / 80,000
	45A/45L-40K8	6,006	123	49	5,587	114	49	60,000 / 80,000
	45A/45L-50K8	6,006	123	49	5,810	119	49	60,000 / 80,000
2' × 2'	45AD/45LD-35K8	5,809	119	49	5,226	107	49	60,000 / 80,000
	45AD/45LD-40K8	5,809	119	49	5,404	110	49	60,000 / 80,000
	45AD/45LD-50K8	5,809	119	49	5,620	115	49	60,000 / 80,000
2' × 4'	45AD/45LD-35K8	6,186	132	47	6,238	136	46	80,000 / 100,000
	45AD/45LD-40K8	6,186	132	47	6,347	138	46	80,000 / 100,000
	45AD/45LD-50K8	6,186	132	47	6,601	143	46	80,000 / 100,000
	45AD/67L-35K8	6,186	132	47	8,677	121	72	60,000 / 80,000
	45AD/67L-40K8	6,186	132	47	8,828	123	72	60,000 / 80,000
	45AD/67L-50K8	6,186	132	47	9,181	128	72	60,000 / 80,000
	45AD/90L-35K8	6,186	132	47	10,970	112	98	60,000 / 80,000
	45AD/90L-40K8	6,186	132	47	11,344	116	98	60,000 / 80,000
	45AD/90L-50K8	6,186	132	47	11,798	120	98	60,000 / 80,000
	90A/90L-35K8	11,472	116	99	10,970	112	98	60,000 / 80,000
	90A/90L-40K8	11,472	116	99	11,344	116	98	60,000 / 80,000
	90A/90L-50K8	11,472	116	99	11,798	120	98	60,000 / 80,000

Amber only

Size	Lamp Type	Delivered lumens @ 25°C (lm)	Efficacy (lm/W)	Input Power (W)	Estd. L ₇₀ LED Life (hrs)
1' × 4'	45A	6,006	123	49	80,000
	90A	12,013	121	99	60,000
2' × 2'	45AD	5,809	119	49	80,000
	90A	11,618	117	99	60,000
2' × 4'	45AD	5,736	117	49	80,000
	90A	11,472	116	99	80,000
	135A	17,208	116	148	60,000

Subject to change without notice. Visit www.kenall.com for .ies files and additional information

Spectroradiometric Parameters



Purity: 0.985
 UV: 0.0000% (<390nm)
 Radiant Flux < 480nm: 0.08%
 Bandwidth: 115nm
 Peak Wavelength: 570nm



www.kenall.com | P: 800-4-Kenall | F: 262-891-9701 | 10200 55th Street Kenosha, Wisconsin 53144, USA

This product complies with the Buy American Act: manufactured in the United States with more than 50% of the component cost of US origin. It may be covered by patents found at www.kenall.com/patents. Content of specification sheets is subject to change; please consult www.kenall.com for current product details. ©2022 Kenall Mfg. Co.

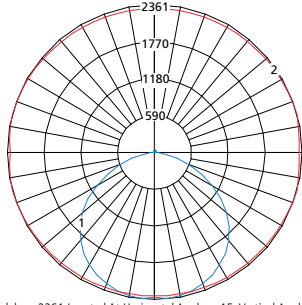
A brand of Legrand

SIMPLESEAL™

CSEDI SERIES – TECHNICAL DATA

PERFORMANCE

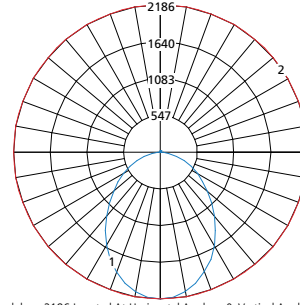
Model: CSEDI14-45A/45L-40K8-DIM1-120-2F-2H-SYM (White Mode)



Maximum Candela = 2361 Located At Horizontal Angle = 15, Vertical Angle = 5

- 1 - Vertical Plane Through Horizontal Angles (15-195) (Through Max. Cd.)
- 2 - Horizontal Cone Through Vertical Angle (5) (Through Max. Cd.)

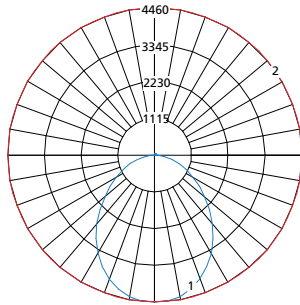
Model: CSEDI22-45AD/45LD-40K8-DIM1-120-2F-2H-SYM (White Mode)



Maximum Candela = 2186 Located At Horizontal Angle = 0, Vertical Angle = 0

- 1 - Vertical Plane Through Horizontal Angles (0-180) (Through Max. Cd.)
- 2 - Horizontal Cone Through Vertical Angle (0) (Through Max. Cd.)

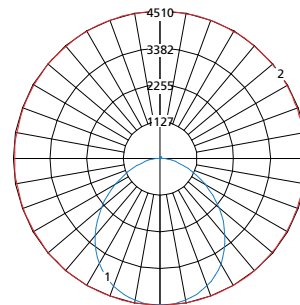
Model: CSEDI24-90A/90L-40K8-DIM1-120-2F-2H-SYM (White Mode)



Maximum Candela = 4460 Located At Horizontal Angle = 0, Vertical Angle = 0

- 1 - Vertical Plane Through Horizontal Angles (0-180) (Through Max. Cd.)
- 2 - Horizontal Cone Through Vertical Angle (0) (Through Max. Cd.)

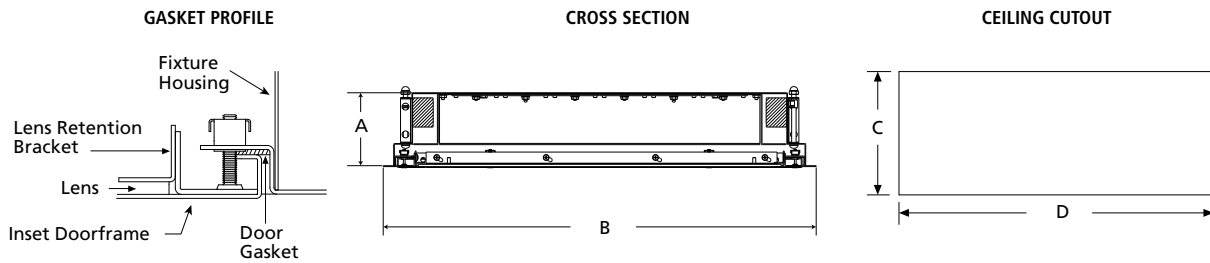
Model: CSEDI24-90A/90L-40K8-DIM1-120-2F-2H-SYM (Amber Mode)



Maximum Candela = 4510 Located At Horizontal Angle = 75, Vertical Angle = 2.5

- 1 - Vertical Plane Through Horizontal Angles (75-255) (Through Max. Cd.)
- 2 - Horizontal Cone Through Vertical Angle (2.5) (Through Max. Cd.)

DIMENSIONAL DATA



DIMENSIONAL DATA (IN INCHES)

	A	B	C	D
1×4	4.20	11.75 × 47.75	10.85	46.85
2×2	4.20	23.75 × 23.75	22.85	22.85
2×4	4.20	23.75 × 47.75	22.85	46.85

* Add .375" to ceiling cut out dimensions when IF Option is specified

** Height is 8.75" with LEL option



www.kenall.com | P: 800-4-Kenall | F: 262-891-9701 | 10200 55th Street Kenosha, Wisconsin 53144, USA

This product complies with the Buy American Act: manufactured in the United States with more than 50% of the component cost of US origin. It may be covered by patents found at www.kenall.com/patents. Content of specification sheets is subject to change; please consult www.kenall.com for current product details. ©2022 Kenall Mfg. Co.

A brand of **Legrand**