

# SIMPLESEAL™

## CSEFL SERIES – EXTENDED FLANGE

### PRODUCT FEATURES:

- » Recessed ceiling mount – flange; 1'x4', 2'x2', 2'x4'
- » One-piece seam welded housing with extended flange assures seal against rough ceilings
- » One-piece doorframe provides air-tight integrity of luminaire
- » Suitable for Class 100 (ISO 5) environments
- » Flanged for drywall or plaster ceilings— not suitable for grid ceilings



### PROJECT INFORMATION

Job Name \_\_\_\_\_

Fixture Type \_\_\_\_\_

Catalog Number \_\_\_\_\_

Approved by \_\_\_\_\_

### SPECIFICATIONS:

**HOUSING:** Standard 20-gauge cold rolled steel, hole-free, one-piece, seam-welded construction. White TGIC polyester powder coat finish with 5-step pre-treatment. Salt spray test: 1,000 hours; Reflectance: 92%. Housing flange is 18-gauge stainless steel or aluminum with mitered and welded corners. Flange finish matches doorframe except when PAH Housing Option (flange is painted white aluminum).

**DOORFRAME:** 20-gauge type 304 stainless steel (#4 finish-post fabrication) or .063 fabricated aluminum painted. One-piece 60° beveled perimeter construction. Continuous angle lens retention system. Mechanical guide for doorframe fastener alignment. Doorframe secured to housing with stainless steel aircraft cables and captive flush mounted phillips head stainless steel fasteners (8) for 2x2, (12) for 2x4; thumb screws optional.

**LENS:** Impact-resistant diffused acrylic lens sealed to perimeter ledge of lens aperture with silicone sealant and secured with continuous lens retention system. See Options for alternate lens selections. Lens orientation – smooth side out. Can be combined with prismatic inner lens; specify type in Lens Type field - overlay combination inner/outer (example: 2/SYM).

**ELECTRICAL:** Available 3000K, 3500K, 4000K and 5000K color temperatures, 82 CRI; maximum 3-step MacAdam variation allowance. 120-277VAC, 50/60Hz electrical input with serviceable high power factor electronic, constant-current driver (<20% THD, >0.95 PF). Standard 0-10V dimming with 1-100% range and dim-to-dark capabilities (non dim-to-dark with 347V); 330µA maximum source current.

**SENSOR & CONTROLS:** Optional sensor available with compatible third party controls. To see the full list of compatible controls, [click here](#).

**INSTALLATION:** Adjustable swing-out mounting brackets standard. See Options for continuous row mounting and plaster frames. Fixture designed for hard ceilings only.  
**Not suitable for grid ceilings.**

**WARRANTY:** Limited five (5) year warranty.

**LISTINGS:** Luminaire is certified to UL standards by Intertek Testing Laboratories for Wet Location. Certified IP65 per IEC 60598. NSF2 Splash/Non-Food Zone. CCEA Approved. Suitable for BSL 1-4 laboratories.



**NOT FOR GRID CEILING INSTALLATIONS**

### ORDERING INFORMATION (Ex: CSEFL24-45LD-35K8-DIM1-277-5F-2H-SYM-LEL)

Model	Lamp Power	Lamp Color	Driver Type	Voltage	Doorframe Option	Housing	Lens Type	Options
<b>DIM1</b>								
<b>Model</b>		<b>Lamp Color</b>		<b>Voltage</b>			<b>Lens Type</b>	
CSEFL14 1'x4'		30K8 3000K / 82 CRI min.		120 120 Volts			<b>Acrylic</b>	
CSEFL22 2'x2'		35K8 3500K / 82 CRI min.		277 277 Volts			<b>SYM</b> Symmetric, Diffused DR Acrylic (STD)	
CSEFL24 2'x4'		40K8 4000K / 82 CRI min.		347 347 Volts			<b>U</b> .125" #12 Prismatic High Impact Acrylic	
		50K8 5000K / 82 CRI min.		DV 120-277 Volts			<b>Polycarbonate</b>	
<b>Lamp Power</b>		<b>Driver Type</b>		<b>Doorframe Options</b>			<b>2</b> .125" #12 Prismatic	
1x4		DIM1 0-10V Dimming to 1%		<b>PAF</b> .063" Painted Fabricated Aluminum			<b>Tempered Glass</b>	
45L 45 Watt LED				<b>5F</b> 20-Ga Type 304 SS			<b>TG</b> .250" Textured Tempered Glass	
67L 67 Watt LED				<b>XF</b> 20-Ga Type 316 SS			<b>Specified Lens</b>	
<b>2x2</b>				<b>Housing Options</b>			<b>SL</b> Specified Lens	
45LD 45 Watt Dual-Row LED				<b>2H</b> 20-Ga CRS (STD)			<b>Options</b>	
67L 67 Watt LED				<b>5H</b> 20-Ga Type 304 SS			<b>LEL</b> ▲ 10W LED Emergency Battery Backup	
<b>2x4</b>				<b>XH</b> 20-Ga Type 316 SS			<b>DLN</b> LED Night Light w/Light Level Control (100% - 20%; Voltage specific selection required; n/a 347V)	
45LD 45 Watt Dual-Row LED				<b>PAH</b> .050" Painted Aluminum			<b>FS</b> Fuse & Holder	
67L 67 Watt LED							<b>FN*</b> Food Zone/Non-Contact	
90L 90 Watt LED							<b>TS</b> Stainless Steel Doorframe Thumb Screws	
							<b>HJ</b> Sealed Wireway	
							<b>PF</b> Plaster Frame	
							<b>RF</b> Radio Frequency Filter	
							<b>RM</b> Continuous Row Mounting (consult factory for ceiling cut-out)	
							<b>TH</b> 1/2" Trade Size Threaded Hub	

▲ n/a with 347V; 0°C/32°F min. operating environment  
\* n/a with TG Option



www.kenall.com | P: 800-4-Kenall | F: 262-891-9700 | 10200 55th Street Kenosha, Wisconsin 53144, USA

A brand of **Legrand**

This product complies with the Buy American Act: manufactured in the United States with more than 50% of the component cost of US origin. It may be covered by patents found at [www.kenall.com/patents](http://www.kenall.com/patents). Content of specification sheets is subject to change; please consult [www.kenall.com](http://www.kenall.com) for current product details. ©2022 Kenall Mfg. Co.

CSEFL\_14\_22\_24-100523

# SIMPLESEAL™

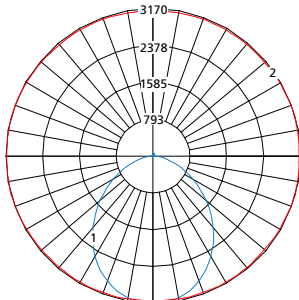
## CSEFL SERIES – Technical Data

### PERFORMANCE

Model	Lamp Type	Initial Delivered Lumens		Input Power (W)	Drive Current (mA)	Estd. L70 LED Life (Hrs)
		@ 25°C	Efficacy (lm/W)			
CSEFL14	45L-30K8	4,906	100	49	100	80,000
	45L-35K8	5,140	105			
	45L-40K8	5,230	107			
	45L-50K8	5,439	111	72	75	
	67L-30K8	7,514	104			
	67L-35K8	7,874	109			
	67L-40K8	8,011	111			
67L-50K8	8,332	116				
CSEFL22	45LD-30K8	5,212	106	46	50	80,000
	45LD-35K8	5,461	111			
	45LD-40K8	5,556	113			
	45LD-50K8	5,779	118	72	75	
	67L-30K8	7,983	111			
	67L-35K8	8,365	116			
	67L-40K8	8,511	118			
67L-50K8	8,852	123				
CSEFL24	45LD-30K8	6,293	137	46	50	100,000
	45LD-35K8	6,593	143			
	45LD-40K8	6,709	146			
	45LD-50K8	6,977	152	72	75	
	67L-30K8	8,752	122			
	67L-35K8	9,171	127			
	67L-40K8	9,331	130			
	67L-50K8	9,704	135	97	100	
	90L-30K8	11,247	116			
	90L-35K8	11,784	121			
	90L-40K8	11,990	124			
90L-50K8	12,470	129				

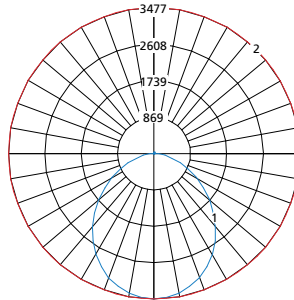
Displayed information is for selected luminaires only. Additional wattages and color temperatures are also available. Visit [www.kenall.com](http://www.kenall.com) for additional information.

Model: CSEFL14-67L-40K8-DIM1-DV-5F-2H-SYM



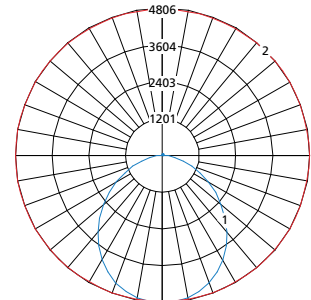
Maximum Candela = 3170 Located At Horizontal Angle = 15, Vertical Angle = 2.5  
 1 - Vertical Plane Through Horizontal Angles (15-195) (Through Max. Cd.)  
 2 - Horizontal Cone Through Vertical Angle (2.5) (Through Max. Cd.)

Model: CSEFL22-67L-40K8-DIM1-DV-5F-2H-SYM



Max Candela = 3477 Located At Horizontal Angle = 0, Vertical Angle = 0  
 1 - Vertical Plane Through Horizontal Angles (0 - 180) (Through Max. Cd.)  
 2 - Horizontal Cone Through Vertical Angle (0) (Through Max. Cd.)

Model: CSEFL24-90L-40K8-DIM1-DV-5F-2H-SYM



Max Candela = 4806 Located At Horizontal Angle = 0, Vertical Angle = 5  
 1 - Vertical Plane Through Horizontal Angles (0 - 180) (Through Max. Cd.)  
 2 - Horizontal Cone Through Vertical Angle (5) (Through Max. Cd.)



[www.kenall.com](http://www.kenall.com) | P: 800-4-Kenall | F: 262-891-9700 | 10200 55th Street Kenosha, Wisconsin 53144, USA

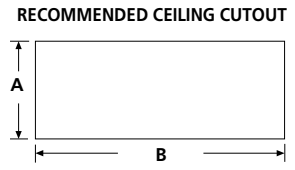
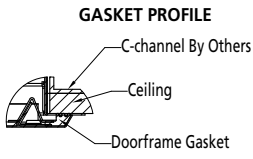
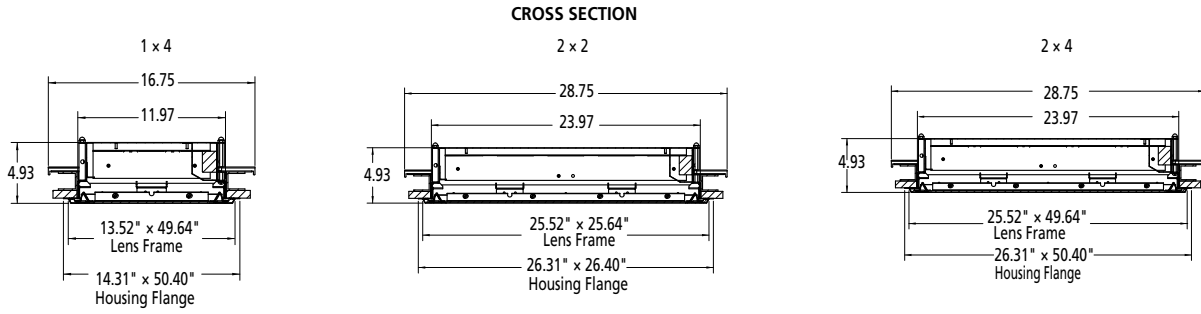
This product complies with the Buy American Act: manufactured in the United States with more than 50% of the component cost of US origin. It may be covered by patents found at [www.kenall.com/patents](http://www.kenall.com/patents). Content of specification sheets is subject to change; please consult [www.kenall.com](http://www.kenall.com) for current product details. ©2022 Kenall Mfg. Co.

A brand of **legrand**

# SIMPLESEAL™

## CSEFL SERIES – Technical Data

### DIMENSIONAL DATA



**CEILING CUT-OUT DIMENSIONS**

	A	B
1x4	12.13	48.25
2x2	24.13	24.25
2x4	24.13	48.25



www.kenall.com | P: 800-4-Kenall | F: 262-891-9700 | 10200 55th Street Kenosha, Wisconsin 53144, USA

A brand of **legrand**

This product complies with the Buy American Act: manufactured in the United States with more than 50% of the component cost of US origin. It may be covered by patents found at [www.kenall.com/patents](http://www.kenall.com/patents). Content of specification sheets is subject to change; please consult [www.kenall.com](http://www.kenall.com) for current product details. ©2022 Kenall Mfg. Co.