

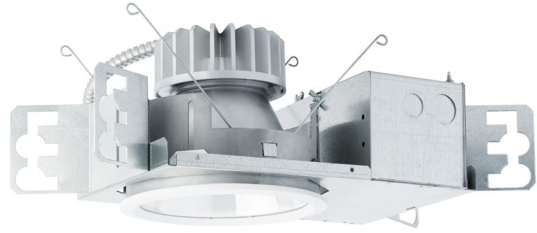
ENVIROPRO DOWNLIGHT

Luminaires for Food Processing Applications

EPDL SERIES

PRODUCT FEATURES:

- » 6" sealed, recessed downlight with flush lens trim
- » 730 - 4,800 delivered lumens with multiple distribution, reflector finish and lens options
- » 1% Dimming via 0-10V or DALI-2 control
- » NSF2 and IP64/IP65 ingress protection rating



SPECIFICATIONS

HEAT SINK: Die-cast aluminum with external radial fins for natural convection.

ROUGH-IN FRAME: 18-gauge die-formed, corrosion-resistant steel. Vertically adjustable collar accommodates ceiling thicknesses up to 2", adjustable post-installation. Universal mounting brackets accept 3/4" and 1-1/2" lathers channel, 1/2" EMT conduit and hanger bars. Quick-access junction box accessible post-installation from above and below ceiling. Includes (4) 1/2" and (2) 3/4" knock-outs to allow straight conduit runs. Listed for (8) 12AWG, 90°C conductors and feed-thru branch wiring. Provided with FMC with electrical quick-connect to Trim Section.

TRIM/HOUSING SECTION: IP-rated housing section incorporates the heat sink, LED module, optics and lower trim. Configurable with an IP64-rated flush lens trim that is secured to the Rough-In frame with hidden torsion springs, and an IP65 Flush lens trim secured with four (4) Phillips-head, captive fasteners. See Trim Ordering Information for available options.

OPTICAL: Clear tempered glass upper lens. 1/8" clear impact-resistant acrylic or polycarbonate flush lens at ceiling trim. Continuous seal between lens and trim ring. Available with various reflector distribution patterns and finishes. See Ordering Information for available options.

ELECTRICAL: LED source available in multiple CCT and CRI combinations with a maximum 3-step MacAdam variation allowance. See Trim Ordering Information for available options. 120-277VAC or 347VAC, 50/60Hz electrical input with serviceable constant current driver (<20% THD, >0.90 PF). Minimum 85% driver efficiency. Standard 0-10V dimming with 1-100% range and dim-to-dark capabilities; 0.2mA maximum source current. Optional eldoLED ECOdrive DALI-2 (DT6) / LEDcode2 driver with 1-100% range.

PHOTOMETRICS: Photometry tested to the IESNA LM-79-08 standard by an ILAC/ISO17025 accredited laboratory. For photometric information, go to www.kenall.com.

WARRANTY: Limited five (5) year LED warranty.

INSTALLATION: Suitable for ambient temperature temperatures of -30°C to +40°C, unless otherwise stated.

LISTINGS: Luminaire is certified to UL standards by Intertek Testing Laboratory for non-IC and Wet Location installations. IP64 and IP65 rating per IEC60598. NSF2 Splash/Non-Food Zone. Optional CCEA compliance.



ORDERING INFORMATION (EX: EPDL6-FF-5FW-18L-40K8-W-CSS-T-RIG6-DV-DIM1)

TRIM

Model	Trim Style	Trim Finish	Lamp Power	Lamp Color	Distribution	Reflector Finish	Flush Lens Type
-------	------------	-------------	------------	------------	--------------	------------------	-----------------

EPDL6

Trim Style

- FF** Flush Lens (With Fasteners - IP65)
- NF** Flush Lens (Without Fasteners - IP64)

Trim Finish

- DCFW** Die-Cast Aluminum in Flat White (NF Trim Style Only)
- 5BR** Type 304 Stainless Steel with 4B Brushed Finish
- 5FW** Type 304 Stainless Steel in Flat White

Lamp Power

- 9L** 9 Watt LED
- 18L** 18 Watt LED
- 24L** 24 Watt LED
- 32L** 32 Watt LED
- 43L[▲]** 43 Watt LED

Lamp Color

- 30K8** 3000K / 80 CRI min.
- 35K8** 3500K / 80 CRI min.
- 35K9** 3500K / 90 CRI min.
- 40K8** 4000K / 80 CRI min.
- 40K9** 4000K / 90 CRI min.
- 50K8** 5000K / 80 CRI min.

Distribution

- M** Medium
- W** Wide

Reflector Finish

- FW** Flat White
- CS** Clear Specular
- CSS** Clear Semi-Specular

Flush Lens Type

- T** 1/8" Clear High-Impact Acrylic
- G** 1/8" Clear Polycarbonate

ROUGH-IN

Rough-In	Input Voltage	Driver Type	Options
----------	---------------	-------------	---------

RIG6

Rough-In

- RIG6** 6" Rough-In

Input Voltage

- DV** 120-277V, 50/60Hz
- 120** 120VAC, 60Hz
- 277** 277VAC, 60Hz
- 347*** 347VAC, 60Hz

Driver Type

- DIM1** 0-10V Dimming to 1% with Dim-to-Dark
- DALI** DALI-2/LEDcode2 Dimming to 1% without Dim-to-Dark

Options

- LEL** Emergency Battery Backup with Remote Test Switch (0°C min. ambient)
- FS** Fuse & Holder
- CCEA** CCEA Approved (specified voltage required)

* N/A with DALI Driver Type. N/A with LEL and CCEA option

▲ Must be installed with a minimum 24" on-center spacing, 12" from wall, and have 3" clearance above the Trim/Housing



ENVIROPRO DOWNLIGHT

Luminaires for Food Processing Applications

For additional photometry, go to www.kenall.com

EPDL SERIES

PERFORMANCE - MEDIUM DISTRIBUTION

Optic			Lamp Power	Initial Delivered Lumens, By Lamp Color						Efficacy (lm/W)	Input Power (W)	TM-21 Reported L90 (hrs)	TM-21 Reported L70 (hrs)
Distribution	Reflector Finish	Lens Type		30K8	35K8	35K9	40K8	40K9	50K8				
M	CS	T	9L	1,119	1,145	941	1,152	961	1,165	77 - 99	12	>55,000	>55,000
			18L	1,957	2,002	1,646	2,014	1,680	2,037	78 - 100	20	>55,000	>55,000
			24L	2,871	2,938	2,415	2,955	2,465	2,989	82 - 105	28	52,000	>55,000
			32L	3,611	3,695	3,038	3,717	3,101	3,759	78 - 100	38	52,000	>55,000
			43L	4,624	4,732	3,890	4,760	3,971	4,815	74 - 94	51	51,000	>55,000
		G	9L	1,079	1,104	908	1,111	926	1,123	75 - 96	12	>55,000	>55,000
			18L	1,887	1,931	1,587	1,942	1,620	1,965	75 - 97	20	>55,000	>55,000
			24L	2,769	2,833	2,329	2,850	2,377	2,883	79 - 101	28	52,000	>55,000
			32L	3,482	3,564	2,929	3,584	2,990	3,625	75 - 97	38	52,000	>55,000
			43L	4,459	4,564	3,751	4,590	3,829	4,643	71 - 91	51	51,000	>55,000
	CSS	T	9L	983	1,006	827	1,012	844	1,024	68 - 87	12	>55,000	>55,000
			18L	1,720	1,760	1,447	1,771	1,477	1,791	69 - 88	20	>55,000	>55,000
			24L	2,524	2,583	2,123	2,598	2,167	2,628	72 - 92	28	52,000	>55,000
			32L	3,174	3,248	2,670	3,267	2,726	3,305	69 - 88	38	52,000	>55,000
			43L	4,065	4,160	3,420	4,184	3,491	4,232	65 - 83	51	51,000	>55,000
		G	9L	948	971	798	976	814	987	66 - 84	12	>55,000	>55,000
			18L	1,659	1,697	1,395	1,707	1,424	1,727	66 - 85	20	>55,000	>55,000
			24L	2,434	2,491	2,047	2,505	2,090	2,534	69 - 89	28	52,000	>55,000
			32L	3,061	3,133	2,575	3,151	2,629	3,187	66 - 85	38	52,000	>55,000
			43L	3,920	4,012	3,298	4,035	3,366	4,081	62 - 80	51	51,000	>55,000
	FW	T	9L	1,016	1,040	855	1,046	873	1,058	70 - 90	12	>55,000	>55,000
			18L	1,777	1,819	1,495	1,830	1,526	1,851	71 - 91	20	>55,000	>55,000
			24L	2,608	2,669	2,194	2,685	2,239	2,715	74 - 95	28	52,000	>55,000
			32L	3,280	3,357	2,759	3,376	2,817	3,415	71 - 91	38	52,000	>55,000
43L			4,200	4,299	3,533	4,324	3,607	4,373	67 - 86	51	51,000	>55,000	
G		9L	980	1,003	824	1,009	842	1,020	68 - 87	12	>55,000	>55,000	
		18L	1,714	1,754	1,442	1,764	1,472	1,785	69 - 88	20	>55,000	>55,000	
		24L	2,515	2,574	2,116	2,589	2,160	2,618	72 - 92	28	52,000	>55,000	
		32L	3,163	3,237	2,661	3,256	2,716	3,293	68 - 88	38	52,000	>55,000	
		43L	4,051	4,145	3,407	4,170	3,478	4,217	65 - 83	51	51,000	>55,000	

Subject to change without notice. Visit www.kenall.com for ies files and additional information.



www.kenall.com | P: 800-4-Kenall | F: 262-891-9700 | 10200 55th Street Kenosha, Wisconsin 53144, USA
 This product can comply with the latest domestic preference legislation, such as the Buy American Act (BAA), Trade Agreement Act (TAA), Build America, Buy America Act (BABA), and others. It may be covered by patents found at www.kenall.com/patents. Content of specification sheets is subject to change; please consult www.kenall.com for current product details. ©2024 Kenall Mfg. Co.

A brand of Legrand

ENVIROPRO DOWNLIGHT

Luminaires for Food Processing Applications

EPDL SERIES

PERFORMANCE - WIDE DISTRIBUTION

Optic			Lamp Power	Initial Delivered Lumens, By Lamp Color						Efficacy (lm/W)	Input Power (W)	TM-21 Reported L90 (hrs)	TM-21 Reported L70 (hrs)
Distribution	Reflector Finish	Lens Type		30K8	35K8	35K9	40K8	40K9	50K8				
W	CS	T	9L	1,103	1,129	928	1,135	947	1,148	76 - 98	12	>55,000	>55,000
			18L	1,929	1,974	1,623	1,986	1,656	2,008	77 - 99	20	>55,000	>55,000
			24L	2,830	2,896	2,381	2,913	2,430	2,947	81 - 104	28	52,000	>55,000
			32L	3,560	3,643	2,994	3,664	3,057	3,706	77 - 99	38	52,000	>55,000
			43L	4,559	4,665	3,835	4,693	3,915	4,746	73 - 93	51	51,000	>55,000
		G	9L	1,063	1,088	895	1,095	913	1,107	74 - 94	12	>55,000	>55,000
			18L	1,860	1,904	1,565	1,915	1,597	1,937	74 - 95	20	>55,000	>55,000
			24L	2,729	2,793	2,296	2,810	2,344	2,842	78 - 100	28	52,000	>55,000
			32L	3,433	3,513	2,888	3,534	2,948	3,574	74 - 95	38	52,000	>55,000
			43L	4,396	4,499	3,698	4,525	3,775	4,577	70 - 90	51	51,000	>55,000
	CSS	T	9L	1,045	1,070	879	1,076	898	1,088	72 - 93	12	>55,000	>55,000
			18L	1,828	1,871	1,538	1,882	1,570	1,903	73 - 94	20	>55,000	>55,000
			24L	2,682	2,745	2,256	2,761	2,303	2,793	76 - 98	28	52,000	>55,000
			32L	3,374	3,453	2,838	3,473	2,897	3,513	73 - 94	38	52,000	>55,000
			43L	4,320	4,422	3,634	4,448	3,710	4,498	69 - 88	51	51,000	>55,000
		G	9L	1,008	1,032	848	1,038	866	1,049	70 - 90	12	>55,000	>55,000
			18L	1,763	1,804	1,483	1,815	1,514	1,836	71 - 90	20	>55,000	>55,000
			24L	2,587	2,647	2,176	2,663	2,221	2,693	74 - 95	28	52,000	>55,000
			32L	3,253	3,329	2,737	3,349	2,794	3,387	70 - 90	38	52,000	>55,000
			43L	4,166	4,264	3,505	4,289	3,578	4,338	66 - 85	51	51,000	>55,000
	FW	T	9L	932	954	784	959	800	970	65 - 83	12	>55,000	>55,000
			18L	1,630	1,668	1,371	1,678	1,400	1,697	65 - 84	20	>55,000	>55,000
			24L	2,392	2,448	2,012	2,462	2,054	2,491	68 - 87	28	52,000	>55,000
			32L	3,008	3,079	2,531	3,097	2,583	3,132	65 - 84	38	52,000	>55,000
43L			3,853	3,943	3,241	3,966	3,309	4,011	61 - 79	51	51,000	>55,000	
G		9L	899	920	756	925	772	936	62 - 80	12	>55,000	>55,000	
		18L	1,572	1,609	1,323	1,618	1,350	1,637	63 - 81	20	>55,000	>55,000	
		24L	2,307	2,361	1,940	2,375	1,981	2,402	66 - 84	28	52,000	>55,000	
		32L	2,901	2,969	2,441	2,987	2,491	3,021	63 - 81	38	52,000	>55,000	
		43L	3,715	3,802	3,126	3,825	3,191	3,868	59 - 76	51	51,000	>55,000	

Subject to change without notice. Visit www.kenall.com for ies files and additional information.



www.kenall.com | P: 800-4-Kenall | F: 262-891-9700 | 10200 55th Street Kenosha, Wisconsin 53144, USA
 This product can comply with the latest domestic preference legislation, such as the Buy American Act (BAA), Trade Agreement Act (TAA), Build America, Buy America Act (BABA), and others. It may be covered by patents found at www.kenall.com/patents. Content of specification sheets is subject to change; please consult www.kenall.com for current product details. ©2024 Kenall Mfg. Co.

A brand of Legrand

ENVIROPRO DOWNLIGHT

Luminaires for Food Processing Applications

For additional photometry, go to www.kenall.com

EPDL SERIES

PERFORMANCE - FLUSH LENS

Wide Distribution Candela Curve	EPDL6-xF-18L-40K8-W-CS-T		Distance to illuminated plane (ft)	EPDL6-xF-18L-40K8-M-CS-T		Medium Distribution Candela Curve
	Initial center beam foot-candles	Beam diameter (ft)		Initial center beam foot-candles	Beam diameter (ft)	
	56.5	5.3	5'	80.0	5.0	
	39.3	6.4	6'	55.6	6.0	
	28.8	7.5	7'	40.8	7.0	
	22.1	8.5	8'	31.3	8.0	
	17.5	9.6	9'	24.7	9.0	
	14.1	10.7	10'	20.0	10.0	
Spacing Criteria: 1.35	Foot-candle multipliers for 30K8 (0.97), 35K8 (0.99), 35K9 (0.82), 40K9 (0.83), 50K8 (1.01)				Spacing Criteria: 0.97	
Beam Angle: 56°	Beam diameter is where foot-candles drop to 50% of maximum				Beam Angle: 53°	

Wide Distribution Candela Curve	EPDL6-xF-18L-40K8-W-CSS-T		Distance to illuminated plane (ft)	EPDL6-xF-18L-40K8-M-CSS-T		Medium Distribution Candela Curve
	Initial center beam foot-candles	Beam diameter (ft)		Initial center beam foot-candles	Beam diameter (ft)	
	59.0	3.9	5'	108.9	4.5	
	41.0	4.6	6'	75.6	5.4	
	30.1	5.4	7'	55.6	6.3	
	23.1	6.2	8'	42.5	7.2	
	18.2	7.0	9'	33.6	8.1	
	14.8	7.7	10'	27.2	9.0	
Spacing Criteria: 1.28	Foot-candle multipliers for 30K8 (0.97), 35K8 (0.99), 35K9 (0.82), 40K9 (0.83), 50K8 (1.01)				Spacing Criteria: 0.72	
Beam Angle: 42°	Beam diameter is where foot-candles drop to 50% of maximum				Beam Angle: 49°	

Wide Distribution Candela Curve	EPDL6-xF-18L-40K8-W-FW-T		Distance to illuminated plane (ft)	EPDL6-xF-18L-40K8-M-FW-T		Medium Distribution Candela Curve
	Initial center beam foot-candles	Beam diameter (ft)		Initial center beam foot-candles	Beam diameter (ft)	
	57.7	6.3	5'	63.9	6.4	
	40.1	7.6	6'	44.3	7.7	
	29.4	8.8	7'	32.6	9.0	
	22.5	10.1	8'	24.9	10.3	
	17.8	11.4	9'	19.7	11.6	
	14.4	12.6	10'	16.0	12.9	
Spacing Criteria: 1.1	Foot-candle multipliers for 30K8 (0.97), 35K8 (0.99), 35K9 (0.82), 40K9 (0.83), 50K8 (1.01)				Spacing Criteria: 1.03	
Beam Angle: 64.6°	Beam diameter is where foot-candles drop to 50% of maximum				Beam Angle: 65.6°	



www.kenall.com | P: 800-4-Kenall | F: 262-891-9700 | 10200 55th Street Kenosha, Wisconsin 53144, USA
 This product can comply with the latest domestic preference legislation, such as the Buy American Act (BAA), Trade Agreement Act (TAA), Build America, Buy America Act (BABA), and others. It may be covered by patents found at www.kenall.com/patents. Content of specification sheets is subject to change; please consult www.kenall.com for current product details. ©2024 Kenall Mfg. Co.

A brand of Legrand

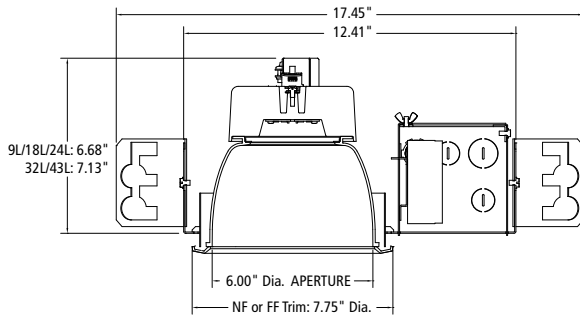
ENVIROPRO DOWNLIGHT

Luminaires for Food Processing Applications

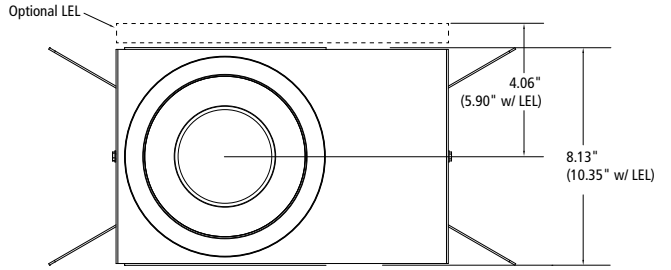
EPDL SERIES

DIMENSIONAL DATA

CROSS SECTION



BOTTOM VIEW



RECOMMENDED CEILING CUT-OUT
NF Trims: 7.13" Dia.
FF Trims: 7.38" Dia.

