

MILLENNIUM FREESCALE™

FS1218 SERIES

PRODUCT FEATURES:

- » Surface mount – wall or ceiling; 15"W×23"H×8"D
- » Marine grade aluminum baseplate
- » Round or Triangle 100% DR acrylic lens options with multiple Lens Frames
- » UL certified IP65 per IEC 60598



FS1218R

FS1218T

PROJECT INFORMATION

Job Name _____

Fixture Type _____

Catalog Number _____

Approved by _____

SPECIFICATIONS

BASEPLATE: Die-formed marine grade aluminum; welded corners. Baseplate provided with four-point mounting holes, one wireway hole – see Cross Section/Details. TGIC Polyester powder coat – 5-stage pre-treatment; Salt spray test: 1,000 hours.

REFLECTOR: Die-formed marine grade aluminum. Full reflector/wire cover – 92% reflectivity.

LENS: UV-stabilized, high impact resistant, pressure formed pearlescent 100% DR acrylic. Nominal thickness .125". Lens secured in place by lens frame and sealed to baseplate with closed cell silicone gasket.

LENS FRAME/CROSS BARS: Marine grade aluminum; secured to baseplate with tamper-resistant stainless steel Torx® with center pin fasteners. Cross bars nominal thickness .25". Post assembly TGIC polyester powder coat – 5-stage pre-treatment; Salt spray test: 1,000 hours. Optional perf insert 30% open, stainless steel. See Ordering Information for standard, optional, architectural, and custom finishes.

HARDWARE: Four stainless steel Torx® T-20 with center pin fasteners. Internal brackets and fasteners are non-corrosive. Surface Conduit Adapter (SCA) accessory – stainless steel trim frame assembly with integral J-box; finished to match lens frame (not available with CA finish). Water-tight conduit fittings supplied by others. Rough Service Adapter (RSA) accessory – stainless steel plate (adds .625" height) finished to match lens frame (not available with CA finish). Stainless steel fasteners provided for mounting fixture to RSA or SCA.

ELECTRICAL: Available 3500K, 4000K and 5000K color temperatures, 82 CRI. 120-277VAC, 50/60Hz electrical input with serviceable high power factor electronic, constant-current driver (<20% THD, >0.95 PF). Standard 0-10V dimming with 10-100% range, maximum driver source of 500 µA.

SENSOR & CONTROLS: Optional sensor available with compatible third party controls. To see the full list of compatible controls, [click here](#).

INSTALLATION: Standard four-point mounting required for Peace of Mind Guarantee®.

PHOTOMETRICS: Photometry tested to the IESNA LM-79-08 standard by an ILAC/ISO17025 accredited laboratory. For photometric information, go to www.kenall.com.

WARRANTY: limited five (5) year LED warranty. [Peace of Mind Guarantee against breakage](#).

LISTINGS: UL and CUL listed for Wet Location. UL certified IP65 per IEC 60598.



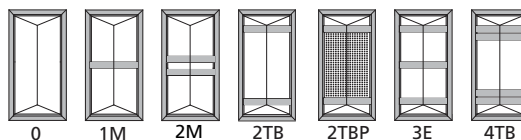
ORDERING INFORMATION (Ex: FS1218R-4TB-PIA-MB-33L40K-1-120-FS)

Model	Lens Frame	Lens Type	Finish	Lamp Type	Lamp Qty	Voltage	Options	Accessories
					1			
Model		Lamp Type		Options				
FS1218R Round		33L35K 33 Watt 3500K LED		FS Single Fuse & Holder				
FS1218T Triangle		33L40K 33 Watt 4000K LED		PH Phillips Head Fasteners				
		33L50K 33 Watt 5000K LED		PC Photo Control with deep housing surface adapter (120 or 277V only)				
Lens Frame		Lamp Quantity		Accessories				
0 No Bars		1 One Lamp		SCA* Surface Conduit Adapter				
1M One Bar - Middle				RSA* Rough Surface Adapter				
2M Two Bars - Middle								
2TB Two Bars - Top & Bottom		Voltage						
2TBP Two Horizontal Bars w/Perf		120 120 Volts						
3E Three Bars - Even Spaced		277 277 Volts						
4TB Four Bars - Top & Bottom		DV 120-277 Volts, electronic ballasts only						
					<ul style="list-style-type: none"> • Vertical wall or ceiling mount only ▼ n/a with option(s) that require deep housing surface adapter 			
Lens Type								
PIA Pearlescent High Impact 100% DR Acrylic								
MPA Matte Pearlescent High Impact 100% DR Acrylic								

Finish

- BR Bronze
- CS Cool Satin Aluminum
- DB Dark Bronze
- FG Forest Green
- LG Light Gray
- MB Matte Black
- MW Matte White
- WS Warm Satin Aluminum
- CC Custom Color (Consult factory)

LENS FRAME



www.kenall.com | P: 800-4-Kenall | F: 262-891-9701 | 10200 55th Street Kenosha, Wisconsin 53144, USA

A brand of **legrand**

This product complies with the Buy American Act: manufactured in the United States with more than 50% of the component cost of US origin. It may be covered by patents found at www.kenall.com/patents. Content of specification sheets is subject to change; please consult www.kenall.com for current product details. ©2022 Kenall Mfg. Co.

MILLENIUM FREESCALE™

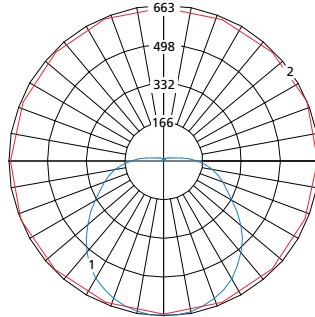
FS1218 SERIES – Technical Data

PERFORMANCE

Lamp Type	Initial Delivered Lumens		Input Power (W)	Drive Current (mA)	Estd. L70 LED Life (Hrs)
	@ 25°C	Efficacy (lm/W)			
33L35K	3091	61	51	94	80,000
33L40K	3295	65	51	94	80,000
33L50K	3427	67	51	94	80,000

Displayed info is for PIA lens only. Infor subject to change. Visit www.kenall.com for IES files and additional information.

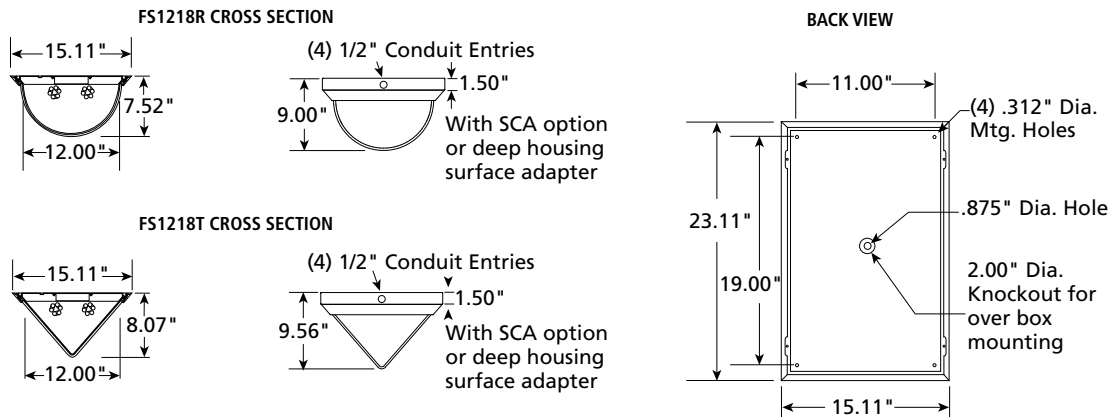
Model: FS1218T-2TB-PIA-MB-33L40K-DV



Maximum Candela = 663 Located At Horizontal Angle = 22.5, Vertical Angle = 5

- 1 - Vertical Plane Through Horizontal Angles (22.5-202.5) (Through Max. Cd.)
- 2 - Horizontal Cone Through Vertical Angle (5) (Through Max. Cd.)

DIMENSIONAL DATA



www.kenall.com | P: 800-4-Kenall | F: 262-891-9701 | 10200 55th Street Kenosha, Wisconsin 53144, USA

This product complies with the Buy American Act: manufactured in the United States with more than 50% of the component cost of US origin. It may be covered by patents found at www.kenall.com/patents. Content of specification sheets is subject to change; please consult www.kenall.com for current product details. ©2022 Kenall Mfg. Co.

A brand of **legrand**