

LUXTRAN™ Luminaires for Tunnel Applications

KB510 SERIES

PRODUCT FEATURES:

- » Suitable for use as pathway, beacon or marker light
- » Optical configurations designed for tunnel lighting applications
- » Stainless steel structural construction
- » 10 Year limited product warranty



PROJECT INFORMATION

Job Name _____

Fixture Type _____

Catalog Number _____

Approved by _____

SPECIFICATIONS

HOUSING: 18-gauge Type 304 or Type 316 stainless steel enclosure with one-piece, seam-welded construction; 2B finish; all welds passivated. 16-gauge die-formed mounting plate; custom mounting detail to tunnel structure available.

GASKETING: One-piece diecut closed cell silicone foam.

OPTICS: Clear tempered glass or polycarbonate lens and polycarbonate color filters.

ELECTRICAL: Two serviceable high-brightness 12 LED arrays. Available with 24VDC or 120-277 VAC, 50/60Hz single-phase input; <20% THD, >0.90 PF.

INSTALLATION: Wall or ceiling orientation. Mounting hardware provided by others. Low-smoke, zero-halogen (LSZH) wire leads extend from back of luminaire through IP67 rated potted hub.

PHOTOMETRICS: Photometry tested to the IESNA LM-79-08 standard by an ILAC/ISO17025 accredited laboratory. For additional photometric data, please go to www.kenall.com.

WARRANTY: Limited ten (10) year warranty.

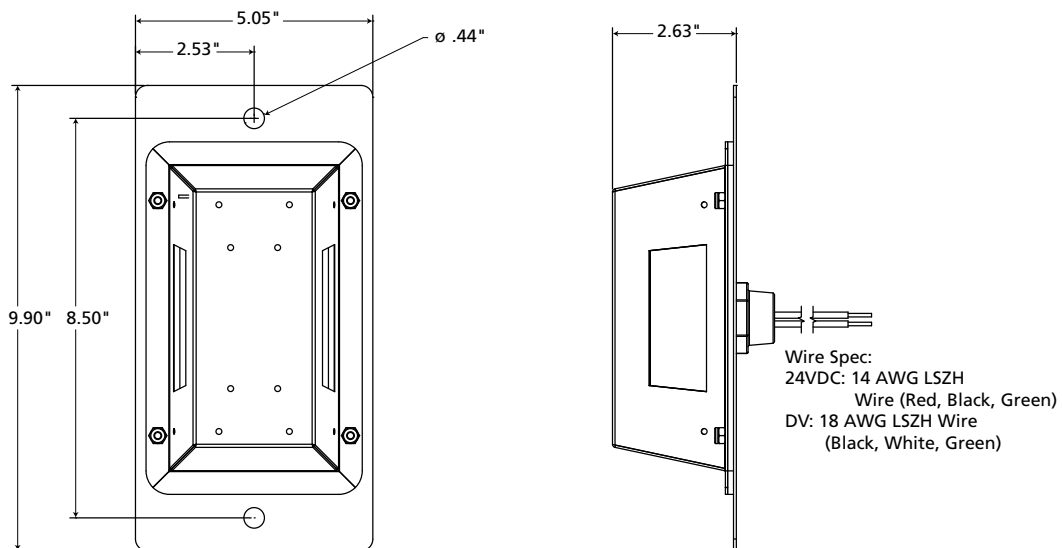
LISTINGS: Luminaire is certified to UL Standards by Intertek Testing Laboratory for Wet Location. IP67 rating per IEC 60598. Rated to NEMA 4X. Luminaire is 3G vibration tested per ANSI C136.31. Passes ANSI C136.27-2012 qualification test.



ORDERING INFORMATION (Ex: KB510-SM-8-6L-24VDC-304-AMB)

Model	Mounting Design Detail	Lens Type	Lamp Type	Driver Type	Housing Material	Filter Color
KB510						
	Mounting Design Detail SM Standard Mounting Detail (as shown) CM Custom/Project-Specific Mounting (consult factory)	Lens Type 8 .188" Tempered Glass Lens (STD) G .125" Clear Polycarbonate	Lamp Type 6L 6 Watt LED	Driver Type 24VDC 24VDC DV 120-277 VAC CV Custom/Project-Specific Voltage (consult factory)	Housing Material 304 Type 304 Stainless Steel (STD) 316 Type 316 Stainless Steel	Filter Color AMB Amber GRN Green RED Red BLU Blue

DIMENSIONAL DATA



www.kenall.com | P: 800-4-Kenall | F: 262-891-9700 | 10200 55th Street Kenosha, Wisconsin 53144, USA
 This product can comply with the latest domestic preference legislation, such as the Buy American Act (BAA), Trade Agreement Act (TAA), Build America, Buy America Act (BABA), and others. It may be covered by patents found at www.kenall.com/patents. Content of specification sheets is subject to change; please consult www.kenall.com for current product details. ©2024 Kenall Mfg. Co.

A brand of **legrand**