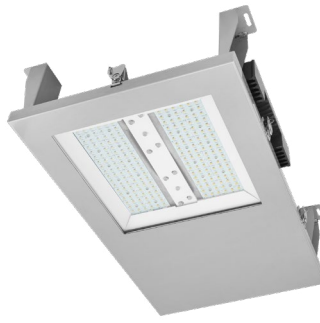


LUXTRAN™ Luminaires for Tunnel Applications

LTSI-A2 SERIES

PRODUCT FEATURES:

- » Powered by Integral Driver
- » Suitable for supplemental lighting in various tunnel zones with a ceiling or wall orientation
- » Optical configurations designed for tunnel lighting applications
- » Stainless steel structural construction with marine-grade aluminum heat sinks
- » 10 Year limited product warranty



PROJECT INFORMATION

Job Name _____

Fixture Type _____

Catalog Number _____

Approved by _____

SPECIFICATIONS

CHASSIS: 16-gauge Type 304 or Type 316 stainless steel enclosure with one-piece, seam-welded construction; 2B finish; passivated post-welding. 14-gauge die-formed and welded mounting points; custom mounting detail to tunnel structure available.

HEAT SINKS: Type 413 marine-grade die-cast aluminum, coatings to withstand either 1,000 hour or 5,000 hour salt fog test per ASTM B117. Electrically insulated from stainless steel chassis.

DOORFRAME: 16-gauge Type 304 or Type 316 stainless steel doorframe with one-piece, seam-welded construction; 2B finish; passivated post-welding. Stainless steel safety cables attach to chassis. Lockable rotary latches (lock by others) constructed of matching grade stainless steel.

GASKETING: One-piece extruded silicone with molded corners.

OPTICS: Type II, III, 4N, 4W and 5S optical distributions. Clear tempered glass or polycarbonate lens.

ELECTRICAL: Serviceable high-brightness LED array. See Ordering Information for color temperature and CRI options. 70 CRI minimum. 120-277 or 277-480 VAC, 50/60Hz single-phase input; <20% THD, >0.90 PF. Minimum 90% electrical efficiency. Standard 0-10V dimming with 5-100% dimming range with dim-to-dark capabilities @ 0V (200µA maximum source current, 470L; 100µA maximum source current, all others). EMC compliant with FCC 47 CFR Part 15, Class B. Passes IEC 61000-4-4 EFT and IEC 61000-4-5 (Class 4) surge evaluation with standard integral surge protector. 3/4" conduit opening standard, other trade size openings available upon request.

OPTIONAL CONTROLS: Optional control module available with compatible third party controls. To see the full list of compatible controls, [click here](#).

INSTALLATION: Wall or ceiling orientation, see Ordering Information for selection. Mounting hardware provided by others. Conduit entry on back of luminaire standard. Ambient temperature rating is -40°C to 40°C (55°C on 90L/184L, 50°C on 280L; consult factory for higher ambient limits on a per-project basis).

PHOTOMETRICS: Photometry tested to the IESNA LM-79-08 standard by an ILAC/ISO17025 accredited laboratory. For additional photometric data, please go to www.kenall.com.

WARRANTY: Limited ten (10) year warranty.

LISTINGS: Luminaire is certified to UL Standards by Intertek Testing Laboratory for Wet Location. IP66 rating per IEC 60598. Rated to NEMA 4X. Luminaire is 3G vibration tested per ANSI C136.31. Passes ANSI C136.27-2012 qualification test.



ORDERING INFORMATION (Ex: LTSI-A2-C-SM-2-8-470L-50K7-DIM5-CV-304-1KF)

Model	Size Configuration	Mounting	Mounting Design	Dist. Type	Lens Type	Lamp Power	Lamp Color	Driver Type	Voltage	Housing Mtrl	Heat Sink Finish	Options
LTSI	A2							DIM5				
	Size Configuration				Lens Type				Voltage			
	A2		1x2 Module Array		8	.188" (.48 cm) Tempered Glass Lens			DV		120-277 VAC Nominal Range	
					7	.187" (.47 cm) Clear Polycarbonate			CV		277-480 VAC Nominal Range	
	Mounting				Lamp Power				Housing Material			
	C	Ceiling			90L	90 Watt LED			304		Type 304 Stainless Steel	
	W	Wall			184L	184 Watt LED			316		Type 316 Stainless Steel	
	Mounting Design Detail				280L	280 Watt LED						
	SM	Standard Mounting Detail (as shown)			384L	384 Watt LED						
	CM	Custom/Project-Specific Mounting (consult factory)			470L	470 Watt LED						
	Distribution Type				Lamp Color				Heat Sink Finish			
	2	Type II			30K7	3000K / 70 CRI min.			1KF		1,000 Hour Finish	
	3	Type III			40K7	4000K / 70 CRI min.			5KF		5,000 Hour Finish	
	4N	Type IV – Narrow			40K8	4000K / 80 CRI min.						Options
	4W	Type IV – Wide			50K7	5000K / 70 CRI min.						FS1
	5S	Type V – Square										FS2
					Driver Type							LPCM
					DIM5	0-10V Dimming to 5%						



www.kenall.com | P: 800-4-Kenall | F: 262-891-9700 | 10200 55th Street Kenosha, Wisconsin 53144, USA
 This product can comply with the latest domestic preference legislation, such as the Buy American Act (BAA), Trade Agreement Act (TAA), Build America, Buy America Act (BABA), and others. It may be covered by patents found at www.kenall.com/patents. Content of specification sheets is subject to change; please consult www.kenall.com for current product details. ©2024 Kenall Mfg. Co.

A brand of **Legrand**

LUXTRAN™ Luminaires for Tunnel Applications

LTSI-A2 SERIES

PERFORMANCE

Lamp - Color Code	Initial Delivered Lumens (lm)					Efficacy (lm/W)	Input Power (W)	TM-21 Reported L70 (hrs)	Lumen Maintenance @ 50k Hrs
	Type 2	Type 3	Type 4N	Type 4W	Type 5S				
90L-30K7	14,919	13,487	15,614	15,244	15,360	136 - 157	99	150,000	95%
90L-40K7	15,684	14,179	16,415	16,025	16,147	143 - 165	99	150,000	95%
90L-40K8	14,919	13,487	15,614	15,244	15,360	136 - 157	99	150,000	95%
90L-50K7	15,684	14,179	16,415	16,025	16,147	143 - 165	99	150,000	95%
184L-30K7	29,499	26,668	30,874	30,142	30,370	126 - 146	212	125,000	92%
184L-40K7	31,012	28,036	32,457	31,687	31,928	132 - 153	212	125,000	92%
184L-40K8	29,499	26,668	30,874	30,142	30,370	126 - 146	212	125,000	92%
184L-50K7	31,012	28,036	32,457	31,687	31,928	132 - 153	212	125,000	92%
280L-30K7	41,769	37,761	43,716	42,679	43,003	120 - 139	314	120,000	89%
280L-40K7	43,912	39,697	45,958	44,868	45,208	127 - 147	314	120,000	89%
280L-40K8	41,769	37,761	43,716	42,679	43,003	120 - 139	314	120,000	89%
280L-50K7	43,912	39,697	45,958	44,868	45,208	127 - 147	314	120,000	89%
384L-30K7	53,469	48,337	55,961	54,633	55,048	110 - 128	438	110,000	87%
384L-40K7	56,211	50,816	58,831	57,435	57,871	116 - 134	438	110,000	87%
384L-40K8	53,469	48,337	55,961	54,633	55,048	110 - 128	438	110,000	87%
384L-50K7	56,211	50,816	58,831	57,435	57,871	116 - 134	438	110,000	87%
470L-30K7	60,920	55,073	63,759	62,247	62,719	112 - 129	493	100,000	85%
470L-40K7	64,044	57,898	67,029	65,439	65,936	117 - 136	493	100,000	85%
470L-40K8	60,920	55,073	63,759	62,247	62,719	112 - 129	493	100,000	85%
470L-50K7	64,044	57,898	67,029	65,439	65,936	117 - 136	493	100,000	85%

Information above was tested with an outer tempered glass lens. Subject to change without notice. Visit www.kenall.com for IES files and additional information.

LUMEN AMBIENT TEMPERATURE (LAT) FACTORS

10°C	15°C	20°C	25°C	30°C	35°C	40°C
1.03	1.02	1.01	1.00	0.99	0.98	0.97

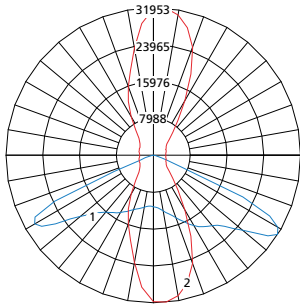


LUXTRAN™ Luminaires for Tunnel Applications

LTSI-A2 SERIES

PERFORMANCE

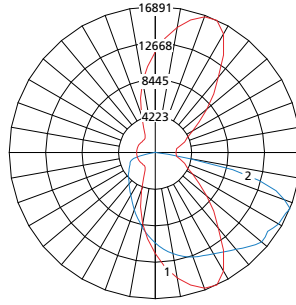
Model: LTSI-A2-C-x-2-8-280L-40K7-DIM5-CV-y-z



Maximum Candela = 31953 Located At Horizontal Angle = 85, Vertical Angle = 57.5

- 1 - Vertical Plane Through Horizontal Angles (85-265) (Through Max. Cd.)
- 2 - Horizontal Cone Through Vertical Angle (57.5) (Through Max. Cd.)

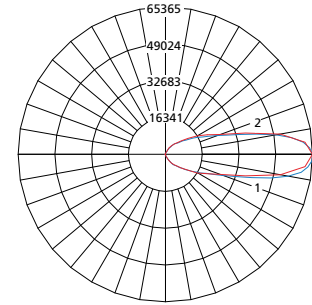
Model: LTSI-A2-C-x-3-8-280L-40K7-DIM5-CV-y-z



Max Candela = 16891 Located At Horizontal Angle = 65, Vertical Angle = 67.5

- 1 - Vertical Plane Through Horizontal Angles (65 - 245) (Through Max. Cd.)
- 2 - Horizontal Cone Through Vertical Angle (67.5) (Through Max. Cd.)

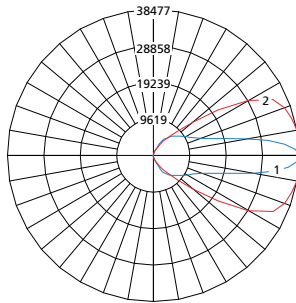
Model: LTSI-A2-W-x-4N-8-280L-40K7-DIM5-CV-y-z



Max Candela = 65365 Located At Horizontal Angle = 0, Vertical Angle = 90

- 1 - Vertical Plane Through Horizontal Angles (0 - 180) (Through Max. Cd.)
- 2 - Horizontal Cone Through Vertical Angle (90) (Through Max. Cd.)

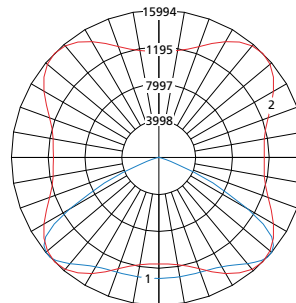
Model: LTSI-A2-C-x-4W-8-280L-40K7-DIM5-CV-y-z



Max Candela = 38477 Located At Horizontal Angle = 10, Vertical Angle = 90

- 1 - Vertical Plane Through Horizontal Angles (10 - 190) (Through Max. Cd.)
- 2 - Horizontal Cone Through Vertical Angle (90) (Through Max. Cd.)

Model: LTSI-A2-W-x-5S-8-280L-40K7-DIM5-CV-y-z



Max Candela = 15994 Located At Horizontal Angle = 45, Vertical Angle = 47.5

- 1 - Vertical Plane Through Horizontal Angles (45 - 225) (Through Max. Cd.)
- 2 - Horizontal Cone Through Vertical Angle (47.5) (Through Max. Cd.)



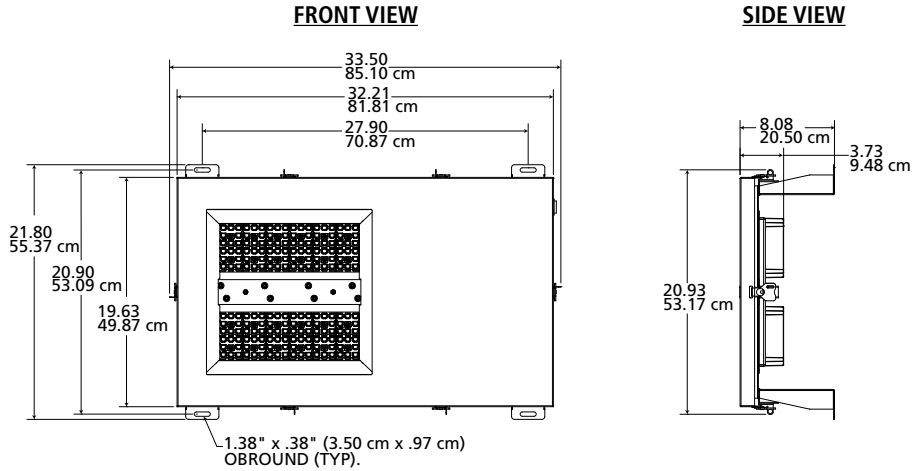
LUXTRAN™
Luminaires for Tunnel Applications

LTSI-A2 SERIES

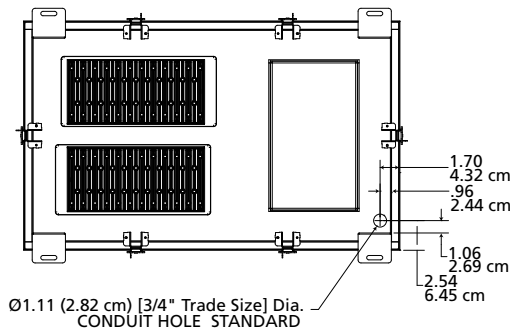
DIMENSIONAL DATA

LAMP POWER

90L/184L/280L

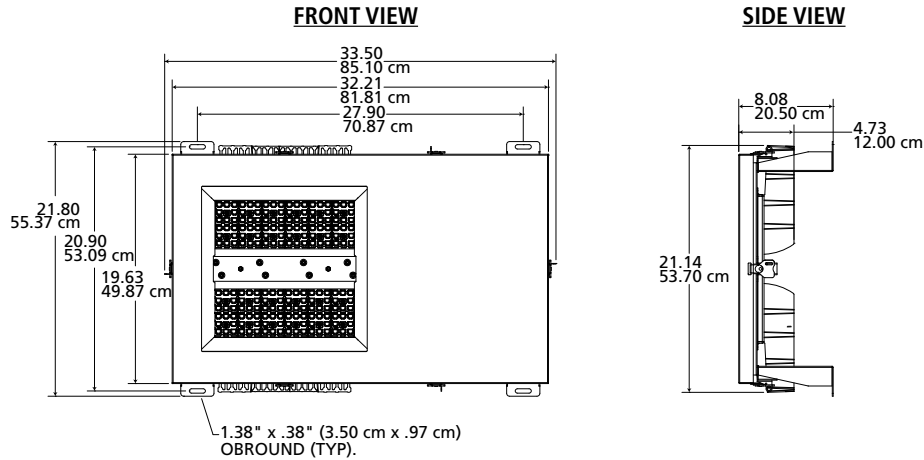


BACK VIEW



LAMP POWER

384L/470L



BACK VIEW

