

MEDMASTER NARROW SPECTRUM

Luminaires for Surgical Applications

M4DL SERIES GREEN LED



530nm (Green)

PRODUCT FEATURES:

- » 6" sealed, recessed downlight with regressed or flush lens trim
- » Conducted emissions controlled as per MIL-STD-461G
- » 530nm Green LED source provides increased visual acuity during specialized surgical procedures
- » 1% Dimming via 0-10V or DALI control
- » For M4SEDI troffers with color-matched Green LEDs, click [here](#)

SPECIFICATIONS

HEAT SINK: Die-cast aluminum with external radial fins for natural convection.

ROUGH-IN FRAME: 18-gauge die-formed, corrosion-resistant steel. Vertically adjustable collar accommodates ceiling thicknesses up to 2", adjustable post-installation. Universal mounting brackets accept 3/4" and 1-1/2" lathers channel, 1/2" EMT conduit and hanger bars. Quick-access junction box accessible post-installation from above and below ceiling. Includes (4) 1/2" and (2) 3/4" knock-outs to allow straight conduit runs. Listed for (8) 12AWG, 90°C conductors and feed-thru branch wiring. Provided with FMC with electrical quick-connect to Trim Section.

TRIM/HOUSING SECTION: IP-rated housing section incorporates the heat sink, LED module, optics and lower trim. Configurable with an IP64-rated Regressed or Flush lens trim that is secured to the Rough-In frame with hidden torsion springs, and an IP65 Flush lens trim secured with four (4) Phillips-head, captive fasteners. Anti-microbial finish standard on all exposed painted surfaces. See trim ordering information for available options.

OPTICAL: Diffused tempered glass upper lens. No light filtering elements employed. Available with various reflector distribution patterns and finishes. Flush lens trim options include a clear lens. See distribution and reflector finish ordering information for available options.

ELECTRICAL: Native green LED source with 530nm nominal peak wavelength. 120-277VAC or 347VAC, 50/60Hz electrical input with serviceable constant current driver (<20% THD, >0.90 PF). Minimum 85% driver efficiency. Standard 0-10V dimming with 1-100% range and dim-to-dark capabilities (non dim-to-dark with 347V); 165µA maximum source current. Optional eldoLED ECOdrive DALI driver with 1-100% range.

PHOTOMETRICS: Photometry tested to the IESNA LM-79-08 standard by an ILAC/ISO17025 accredited laboratory. For photometric information, go to www.kenall.com.

WARRANTY: Limited five (5) year LED warranty.

LISTINGS: Luminaire is certified to UL standards by Intertek Testing Laboratory for non-IC and Wet Location installations. IP64 and IP65 rating per IEC60598. NSF2 Splash/Non-Food Zone. Conducted emissions controlled as per MIL-STD-461G. Optional CCEA compliant.



ORDERING INFORMATION (EX: M4DL6-FF-2FW-12G-W-CSS-T-RIS6-120-DIM1)

TRIM

Model Trim Style Trim Finish Lamp Power Distribution Reflector Finish Flush Lens Type

M4DL6

12G

Trim Style

- R** Regressed Lens (IP64)
- NF** Flush Lens (Without Fasteners - IP64)
- FF** Flush Lens (With Fasteners - IP65)

Distribution

- M** Medium
- W** Wide

Reflector Finish

- FW** Flat White
- CS** Clear Specular
- CSS** Clear Semi-Specular

Flush Lens Type (n/a Regressed Trim Style)

- T** 1/8" Clear High-Impact Acrylic

Trim Finish

- DCFW** Die-Cast Aluminum in Flat White (R and NF Trim Style)
- 2FW** Cold-Rolled Steel in Flat White
- 5BR** Type 304 Stainless Steel with 4B Brushed Finish
- 5FW** Type 304 Stainless Steel in Flat White

Lamp Power / Color

- 12G** 12 Watt 530nm Native Green LED

ROUGH-IN

Rough-In Input Voltage Driver Type Options

RIS6

Rough-In

- RIS6** 6" Surgical Rough-In

Input Voltage

- 120** 120VAC, 50/60Hz
- 277** 277VAC, 50/60Hz
- 347†** 347VAC, 60Hz

Driver Type

- DIM1** 0-10V Dimming to 1%
- DALI** DALI Dimming to 1%

Options

- LEL** 7W Emergency Battery Backup with Remote Test Switch
- FS** Fuse & Holder
- CCEA** CCEA Approved (specified voltage required; n/a 347V)

† N/A with DALI Driver Type. N/A with LEL option



MEDMASTER NARROW SPECTRUM

Luminaires for Surgical Applications

M4DL SERIES GREEN LED

PHOTOMETRIC PERFORMANCE

Distribution	Optic			Lamp Code	Lamp Color	Initial Delivered Lumens	Input Power (W)	Estd. L70 LED Life (hrs)
	Distribution	Reflector Finish	Lens Type					
R	M	CS	n/a	12G	530nm Green	756	15	60,000
		CSS				710		
		FW				819		
	W	CS				832		
		CSS				732		
		FW				794		
FF / NF	M	CS	T			692		
		CSS				650		
		FW				642		
	W	CS				779		
		CSS				661		
		FW				733		

Subject to change without notice. Visit www.kenall.com for ies files and additional information.



MEDMASTER NARROW SPECTRUM

Luminaires for Surgical Applications

M4DL SERIES GREEN LED

PHOTOMETRIC PERFORMANCE

For additional photometry, go to www.kenall.com

Wide Distribution Candela Curve	M4DL6-R-12G-W-CS		Distance to illuminated plane (ft)	M4DL6-R-12G-M-CS		Medium Distribution Candela Curve	
	Initial center beam footcandles	Beam diameter (ft)		Initial center beam footcandles	Beam diameter (ft)		
	17.5	7.4	5'	58.6	3.0		
	12.2	8.9	6'	40.7	3.6		
	8.9	10.3	7'	29.9	4.2		
	6.9	11.8	8'	22.9	4.8		
	5.4	13.3	9'	18.1	5.4		
	4.4	14.8	10'	14.7	6.1		
Spacing Criteria: 1.41						Spacing Criteria: 0.63	
Beam Angle: 73°		Beam diameter is where foot-candles drop to 50% of maximum				Beam Angle: 34°	

Wide Distribution Candela Curve	M4DL6-R-12G-W-CSS		Distance to illuminated plane (ft)	M4DL6-R-12G-M-CSS		Medium Distribution Candela Curve	
	Initial center beam footcandles	Beam diameter (ft)		Initial center beam footcandles	Beam diameter (ft)		
	20.0	7.3	5'	30.8	5.6		
	13.9	8.7	6'	21.4	6.7		
	10.2	10.2	7'	15.7	7.9		
	7.8	11.6	8'	12.0	9.0		
	6.2	13.1	9'	9.5	10.1		
	5.0	14.5	10'	7.7	11.2		
Spacing Criteria: 1.19						Spacing Criteria: 0.91	
Beam Angle: 72°		Beam diameter is where foot-candles drop to 50% of maximum				Beam Angle: 59°	

Wide Distribution Candela Curve	M4DL6-vF-12G-W-CS-T		Distance to illuminated plane (ft)	M4DL6-vF-12G-M-CS-T		Medium Distribution Candela Curve	
	Initial center beam footcandles	Beam diameter (ft)		Initial center beam footcandles	Beam diameter (ft)		
	17.2	7.3	5'	55.1	2.8		
	11.9	8.8	6'	38.3	3.4		
	8.8	10.2	7'	28.1	3.9		
	6.7	11.7	8'	21.5	4.5		
	5.3	13.2	9'	17.0	5.0		
	4.3	14.6	10'	13.8	5.6		
Spacing Criteria: 1.38						Spacing Criteria: 0.61	
Beam Angle: 72°		Beam diameter is where foot-candles drop to 50% of maximum				Beam Angle: 31°	

Wide Distribution Candela Curve	M4DL6-vF-12G-W-CSS-T		Distance to illuminated plane (ft)	M4DL6-vF-12G-M-CSS-T		Medium Distribution Candela Curve	
	Initial center beam footcandles	Beam diameter (ft)		Initial center beam footcandles	Beam diameter (ft)		
	18.8	5.7	5'	35.0	4.6		
	13.0	6.8	6'	24.3	5.5		
	9.6	7.9	7'	17.9	6.5		
	7.3	9.1	8'	13.7	7.4		
	5.8	10.2	9'	10.8	8.3		
	4.7	11.3	10'	8.8	9.2		
Spacing Criteria: 1.13						Spacing Criteria: 0.77	
Beam Angle: 59°		Beam diameter is where foot-candles drop to 50% of maximum				Beam Angle: 50°	



www.kenall.com | P: 800-4-Kenall | F: 262-891-9700 | 10200 55th Street Kenosha, Wisconsin 53144, USA

A brand of **legrand**

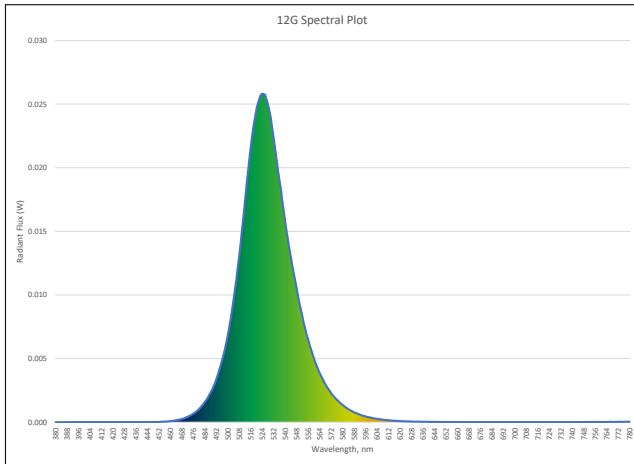
This product complies with the Buy American Act: manufactured in the United States with more than 50% of the component cost of US origin. It may be covered by patents found at www.kenall.com/patents. Content of specification sheets is subject to change; please consult www.kenall.com for current product details. ©2022 Kenall Mfg. Co.

MEDMASTER NARROW SPECTRUM

Luminaires for Surgical Applications

M4DL SERIES GREEN LED

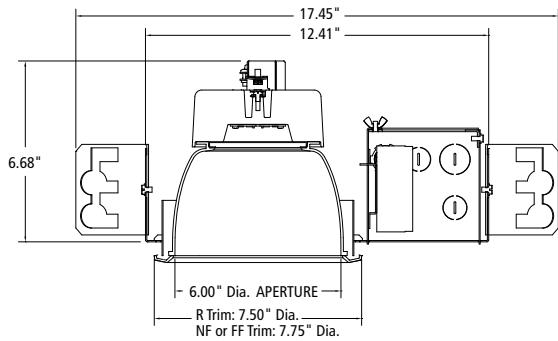
SPECTROPHOTOMETRIC PERFORMANCE



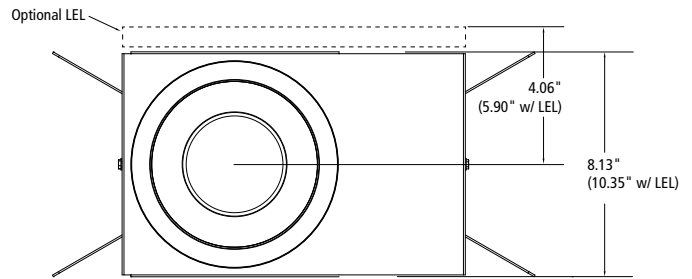
12G	
Purity	0.8093
Bandwidth	37.2 nm
Peak Wavelength	530 nm

DIMENSIONAL DATA

CROSS SECTION



BOTTOM VIEW



RECOMMENDED CEILING CUT-OUT

R and NF Trims: 7.13" Dia.
FF Trims: 7.38" Dia.



www.kenall.com | P: 800-4-Kenall | F: 262-891-9700 | 10200 55th Street Kenosha, Wisconsin 53144, USA

A brand of **legrand**

This product complies with the Buy American Act: manufactured in the United States with more than 50% of the component cost of US origin. It may be covered by patents found at www.kenall.com/patents. Content of specification sheets is subject to change; please consult www.kenall.com for current product details. ©2022 Kenall Mfg. Co.