

# MILLENIUM METREX™

## METEC SERIES

### PRODUCT FEATURES:

- » Surface wall mount – Single Face
- » Indirect Red or Green LED
- » Exit/Emergency combo unit
- » High impact polycarbonate construction



### PROJECT INFORMATION

Job Name \_\_\_\_\_

Fixture Type \_\_\_\_\_

Catalog Number \_\_\_\_\_

Approved by \_\_\_\_\_

### SPECIFICATIONS

**HOUSING:** High impact, injection molded polycarbonate. Housing provided with four-point mounting holes, one wireway hole and temporary junction box mounting drill points – see Cross Section/Details. Closed cell die-cut Neoprene gasket seals housing to mounting surface.

**SHIELD:** UV-stabilized, high impact, injection molded clear polycarbonate. Nominal thickness .120". Captive stainless steel Torx® T-20 with center pin fasteners secure shield to housing. Continuous closed cell silicone gasket seals shield to housing.

**LEGEND:** Legend illuminated by internal high output LEDs. Lettering six inches high with .750" stroke. Polycarbonate red or green filter panels. High impact, injection molded polycarbonate stencil and field selectable chevron inserts.

**ELECTRICAL:** 624 nm Red or 527 nm Green LED light source. Electrical components mounted to removable chassis. Sealed nickel-cadmium Emergency Battery Pack with standard deep cycle battery conditioning, self test and self diagnostic circuitry, remote laser activated test switch, protected mechanical test switch and status indicator. Suitable for 10°C to 45°C (50°F to 113°F). Cold Weather Emergency Battery Pack (CL) suitable for -30°C to 45°C (-22°F to 113°F). Remote Exit Ready – can power one Kenall METSS Satellite Exits. Can also power Kenall METER Emergency Remote Unit(s); selected total lamps – including all remotes – cannot exceed unit output rating; consult Output Rating chart

**INSTALLATION:** Standard four-point mounting required for Peace of Mind Guarantee®. Drill points provided for optional surface conduit entry.

**LISTINGS:** UL and CUL listed for Wet Location. UL certified IP64 per IEC 60598. Meets or exceeds UL924 and NFPA 101 standards. Meets or exceeds CSA and NRCAN requirements.



### ORDERING INFORMATION (Ex: METEC-24N-MW-R-2-6.5L-120)

Model	Battery Capacity	Finish	Legend Color	Lamp Qty	Lamp Watt/Type	Voltage	Options	Accessories
<b>METEC</b>					<b>6.5L</b>			
<b>Battery Capacity</b>		<b>Finish</b>		<b>Legend Color</b>		<b>Lamp Wattage/Type*</b>		<b>Options</b>
24N	24W Nickel Cadmium	MB	Matte Black	R	Red	6.5L	6.5W LED	CEL Cold Weather Emergency Battery Pack PH Phillips Head Fasteners
40N	40W Nickel Cadmium	MW	Matte White	G	Green	<b>Voltage</b>		<b>Accessories</b>
<b>Lamp Quantity</b>						120	120 Volts	LP Laser Pointer
2				2 Internal Lamps		DT	120/277 Volts	
4				4 Internal Lamps		DTC	120/347 Volts	

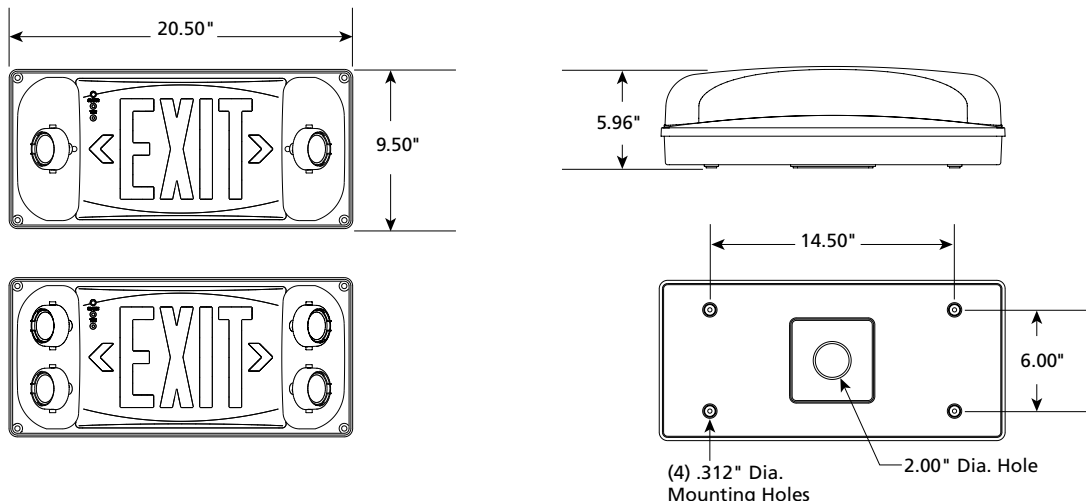
*\*Total lamps cannot exceed unit output rating. Consult Output Rating Chart on left.*

**Maximum Lamp Quantity**

Battery	½ hr	1 hr	1½ hr	2 hr	3 hr	4 hr
24N	5	5	3	2	--	--
40N	5	5	5	4	3	2

*Remote distances based on wire gauge*

### DIMENSIONAL DATA



www.kenall.com | P: 800-4-Kenall | F: 262-891-9700 | 10200 55th Street Kenosha, Wisconsin 53144, USA  
 This product can comply with the latest domestic preference legislation, such as the Buy American Act (BAA), Trade Agreement Act (TAA), Build America, Buy America Act (BABA), and others. It may be covered by patents found at www.kenall.com/patents. Content of specification sheets is subject to change; please consult www.kenall.com for current product details. ©2024 Kenall Mfg. Co.

A brand of **Legrand**