

MILLENIUM STRETCH™

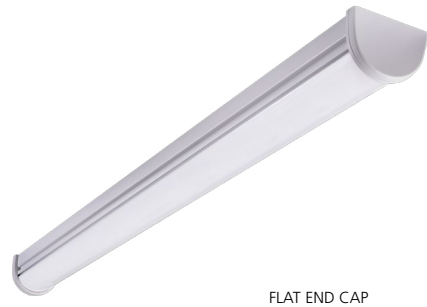
MLHA3 SERIES – SERIES RUN



ROUNDED END CAP

PRODUCT FEATURES:

- » Narrow 3" continuous-run linear luminaire with multiple length options
- » LED source and lens material optimized to provide the perfect blend of high performance and visual comfort
- » Surface ceiling, wall or pendant mount installation
- » Customizable light output
- » Peace of Mind Guarantee® against breakage



FLAT END CAP

SPECIFICATIONS

HOUSING: Extruded marine grade aluminum body with die-cast aluminum end caps. Two end cap styles available for ends of run - Flat and Round. Conduit and Wiremold™ ready knockout visible only from interior of end cap. Closed cell EPDM and silicone gasketing along lens channel and end caps. Each linear run of luminaires consists of one Beginning of Run Luminaire (B), one or multiple Inner Luminaire(s) (M), and one End of Run Luminaire (E). Specify and/or order systems per linear run (i.e. (1)B48, (5)M48, (1)E48).

LENS: UV-Stabilized, high-efficiency diffused polycarbonate or high-performance, impact-modified diffused acrylic material options. Lens securely positioned in body channels and endcaps, locked into place with concealed, tamper-resistant Torx® T-20 with center pin fasteners.

LED MODULE: Serviceable mid-power LED array. Light output specified in lumens per foot for consistent light output across luminaires in various length configurations. Minimum 80 CRI standard (R9>0), optional 90CRI (R9>50). Maximum three-step MacAdam ellipse variation. See Ordering Information for available color temperature options.

DRIVER: 120-277VAC or 347VAC, 50/60Hz electrical input with serviceable constant-current driver (<20% THD, >0.90 PF). Minimum 85% driver efficiency. Standard 0-10V dimming with 1-100% range and dim-to-dark capabilities (non dim-to-dark with 347V); maximum 165 µA maximum source current. Optional eldoLED ECoDrive DALI drivers with 1-100% range.

SENSOR & CONTROLS: Optional sensor available with compatible third party controls. To see the full list of compatible controls, [click here](#).

INSTALLATION: Surface ceiling, vertical or horizontal wall, corner mount (CMB) or suspended pendant mounting (PM). Standard four-point mounting (2-point for 2-foot & 3-foot fixtures) per fixture required for Peace of Mind Guarantee®. Suitable for -30°C to 40°C ambient environments, unless otherwise noted.

PHOTOMETRICS: Photometry tested to the IESNA LM-79-08 standard by an ILAC/ISO17025 accredited laboratory. For additional photometric data, please go to www.kenall.com.

WARRANTY: Limited ten (10) year LED warranty. [Peace of Mind Guarantee against breakage](#).

LISTINGS: Luminaire is certified to UL standards by Intertek Testing Laboratories for Wet Location - Covered Ceiling installations. IP64 rating per IEC60598 – ceiling mount. Corner, horizontal wall, vertical wall and pendant mount installation – Damp Location only. ADA compliant. Luminaire tested to an IK10 impact protection rating per IEC 60068-2-75:1997-08.



ORDERING INFORMATION (Ex: MLHA3S-B24-2/M96-E24-F-LG-PP-1200LF-35K8-DIM1-DV-NAT)

Model	Begin Unit	Inner Unit(s)	End Unit	End Cap	Finish	Lens	Lumen Output	Lamp Color	Driver	Voltage	Options	Accessories
MLHA3S		/										

Beginning of Run Unit Length

B24	2' Nominal
B36	3' Nominal
B48	4' Nominal
B72	6' Nominal
B96	8' Nominal

Inner Unit Qty / Length (replace 'x' with qty of inner units)

x/M48	4' Nominal
x/M72	6' Nominal
x/M96	8' Nominal

End of Run Unit Length

E24	2' Nominal
E36	3' Nominal
E48	4' Nominal
E72	6' Nominal
E96	8' Nominal

End Cap Style

F	Flat Style
R	Round Style

Finish Type

MW	Matte White
LG	Light Gray
MB	Matte Black
CC	Custom Color (consult factory)

Lens Type

PP	Diffused Polycarbonate
FA	Frost DR Acrylic

Lumen Output

800LF	800 lumens/foot
1000LF	1000 lumens/foot
1200LF	1200 lumens/foot
1400LF	1400 lumens/foot
XXXXLF	Custom Output (consult factory, 1399LF max)

Lamp Color

30K8	3000K / 80CRI min
35K8	3500K / 80CRI min
35K9	3500K / 90CRI min
40K8	4000K / 80CRI min
40K9	4000K / 90CRI min
50K8	5000K / 80CRI min
CCTx	Custom Lamp Color Spec (consult factory)

Driver Type

DIM1	0-10V Dimming to 1% with Dim-to-Dark Capabilities
DALI▲	DALI Dimming to 1% without Dim-to-Dark Capabilities

Input Voltage

DV	120-277 VAC, 50/60Hz
347	347 VAC, 60Hz

Options

LEL*	Integral 10W Emergency Battery Backup (n/a 2' and 3' length; 0°C/32°F min ambient temp; consult factory to specify location of battery pack within run)
CDF	Captive Diffuser Fasteners
DL	Damp Location (Non-sealed, interior use)
FS	Single Fuse & Holder
NAT	Suitable for Natatorium Environments
PH	Phillips Head Fasteners
PM§	Pendant Mounting (max 3/8" NPT stems, by others; Damp Location rated)

Accessories

CMB§	Corner Mount Bracket Kit (Must be ordered with DL Option)
-------------	---

* n/a 347V input

§ PM and CMB not available in conjunction

▲ n/a 347V input; n/a in 96" fixture with 1400LF



MILLENIUM STRETCH™

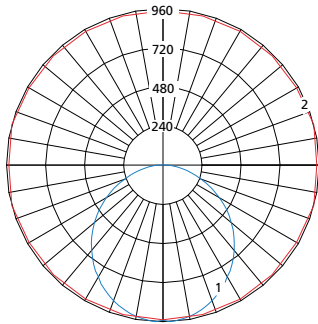
MLHA3 SERIES – SERIES RUN

PERFORMANCE

Lens Type	Nominal Lumen Output	Initial Delivered Lumens per Foot, by Lamp Color (lm/ft)						Efficacy (lm/W)	Unit Input Power (W/ft)	TM-21 Reported L70 (hrs)
		30K8	35K8	35K9	40K8	40K9	50K8			
PP	800LF	780	788	669	816	689	824	101 - 131	6	>72,000
	1000LF	964	974	827	1,008	852	1,018	100 - 131	8	
	1200LF	1,167	1,179	1,001	1,220	1,031	1,232	101 - 131	10	
	1400LF	1,345	1,358	1,153	1,406	1,188	1,420	100 - 131	11	
FA	800LF	781	788	670	816	689	824	114 - 145	6	>72,000
	1000LF	968	978	831	1,013	855	1,022	110 - 144	8	
	1200LF	1,161	1,173	996	1,214	1,026	1,226	113 - 145	9	
	1400LF	1,337	1,351	1,147	1,398	1,181	1,412	110 - 143	10	

NOTE: Nominal Lumen Output values based on 40K8 lamp color. Information subject to change without notice. Visit www.kenall.com for IES files and additional information.

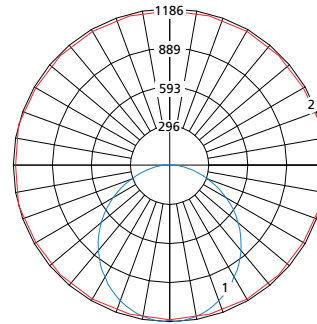
Model: MLHA3-48-s-tt-PP-800LF-40K8-DIM1-yyy-zzz



Maximum Candela = 960 Located At Horizontal Angle = 15, Vertical Angle = 2.5

- 1 - Vertical Plane Through Horizontal Angles (15-195) (Through Max. Cd.)
- 2 - Horizontal Cone Through Vertical Angle (2.5) (Through Max. Cd.)

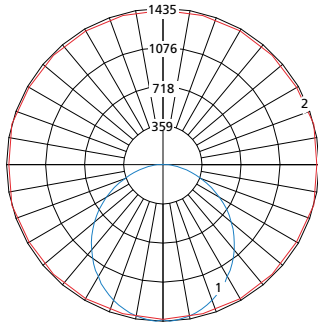
Model: MLHA3-48-s-tt-PP-1000LF-40K8-DIM1-yyy-zzz



Maximum Candela = 1186 Located At Horizontal Angle = 15, Vertical Angle = 5

- 1 - Vertical Plane Through Horizontal Angles (15-195) (Through Max. Cd.)
- 2 - Horizontal Cone Through Vertical Angle (5) (Through Max. Cd.)

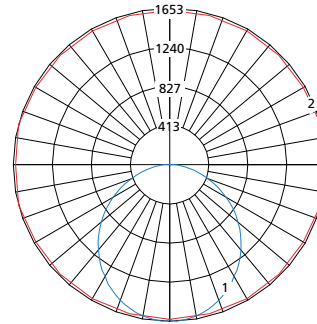
Model: MLHA3-48-s-tt-PP-1200LF-40K8-DIM1-yyy-zzz



Maximum Candela = 1435 Located At Horizontal Angle = 15, Vertical Angle = 2.5

- 1 - Vertical Plane Through Horizontal Angles (15-195) (Through Max. Cd.)
- 2 - Horizontal Cone Through Vertical Angle (2.5) (Through Max. Cd.)

Model: MLHA3-48-s-tt-PP-1400LF-40K8-DIM1-yyy-zzz



Maximum Candela = 1653 Located At Horizontal Angle = 15, Vertical Angle = 5

- 1 - Vertical Plane Through Horizontal Angles (15-195) (Through Max. Cd.)
- 2 - Horizontal Cone Through Vertical Angle (5) (Through Max. Cd.)

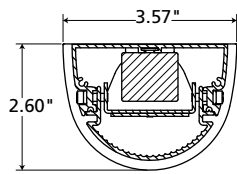


MILLENNIUM STRETCH™

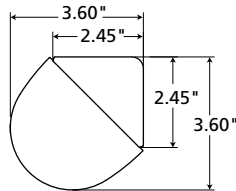
MLHA3 SERIES – SERIES RUN

DIMENSIONAL DATA

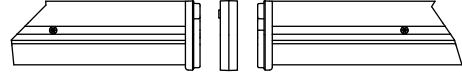
CROSS SECTION/DETAILS



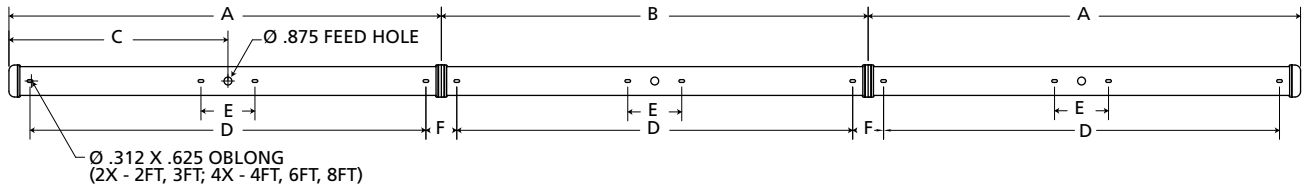
CORNER MOUNT BRACKET (OPTIONAL)



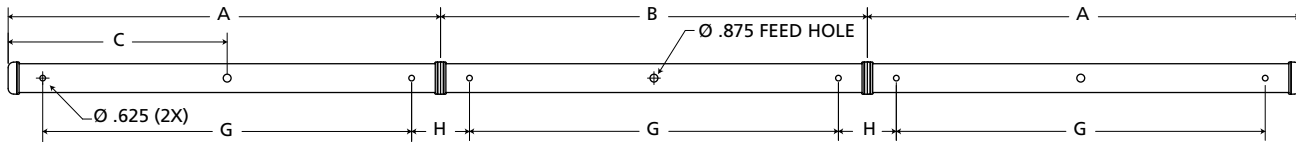
JOINER BAND DETAIL



SURFACE MOUNTING HOLES



PM OPTION



Nominal Length	End cap	A	B	C	D	E	F	G	H
2-foot	F	25.228	25.178	5.139	20.000	-	5.182	20.000	5.182
	R	25.804	25.178	5.715	20.000	-	5.182	20.000	5.182
3-foot	F	37.228	37.178	18.639	32.000	-	5.182	32.000	5.182
	R	37.804	37.178	19.215	32.000	-	5.182	32.000	5.182
4-foot	F	47.478	47.428	23.764	44.000	6.000	3.432	41.000	6.432
	R	48.054	47.428	24.340	44.000	6.000	3.432	41.000	6.432
6-foot	F	71.228	71.178	35.639	60.000	8.000	11.182	65.000	6.182
	R	71.804	71.178	36.215	60.000	8.000	11.182	65.000	6.182
8-foot	F	91.728	91.678	45.889	84.000	20.000	7.682	84.000	7.682
	R	92.304	91.678	46.465	84.000	20.000	7.682	84.000	7.682

