

MILLENIUM OS™

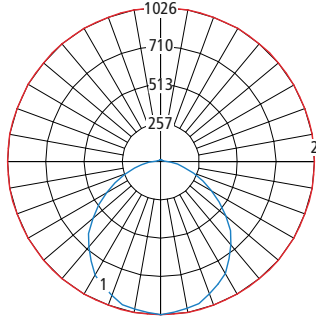
MOS SERIES

PERFORMANCE

Lens Type	Lamp Power	Initial Delivered Lumens, By Lamp Color (lm)				Efficacy (lm/W)	Input Power (W)	Estd. L70 LED Life (hrs)	Delivered Output in LEL Battery Mode (lm)
		30K8	35K8	40K8	50K8				
TA	20L	2,527	2,613	2,585	2,589	103 - 107	25	100,000	1,030
	38L	4,522	4,676	4,626	4,633	98 - 102	46	80,000	980
TP	20L	2,551	2,638	2,610	2,614	104 - 108	25	100,000	1,040
	38L	4,565	4,720	4,670	4,677	99 - 102	46	80,000	990

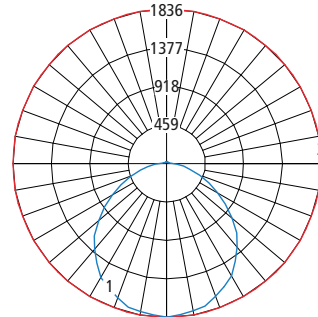
Battery Mode Delivered Lumen Output is the measured luminaire output after 90 minutes of battery operation (when ordered with LEL Option). Subject to change without notice. Visit www.kenall.com for IES files and additional information.

Model: MOS-18-xx-TP-20L-40K8-DCC-DV



Max Candela = 1026 Located At Horizontal Angle = 0, Vertical Angle = 0
 1 - Vertical Plane Through Horizontal Angles (0 - 180) (Through Max. Cd.)
 2 - Horizontal Cone Through Vertical Angle (0) (Through Max. Cd.)

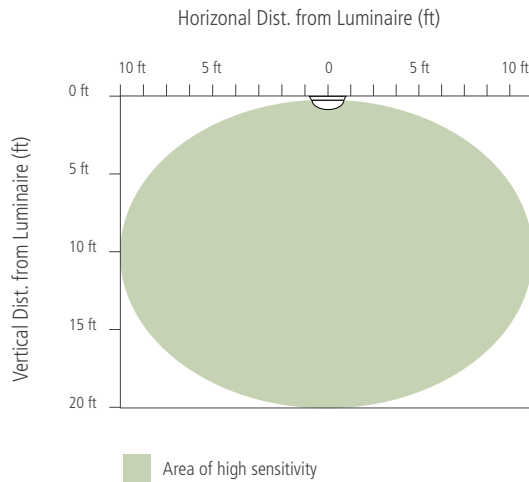
Model: MOS-18-xx-TP-38L-40K8-DCC-DV



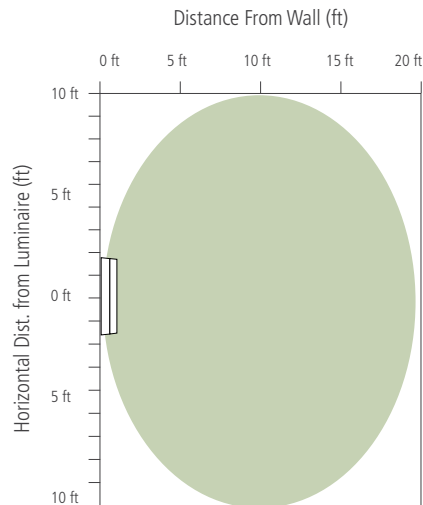
Max Candela = 1836 Located At Horizontal Angle = 0, Vertical Angle = 0
 1 - Vertical Plane Through Horizontal Angles (0 - 180) (Through Max. Cd.)
 2 - Horizontal Cone Through Vertical Angle (0) (Through Max. Cd.)

SENSOR COVERAGE

Ceiling Mount



Wall Mount



MILLENIUM OS™

MOS SERIES

DIMENSIONAL DATA

