

MEDMASTER PATIENT WALL SWITCH

for Multi-Function Luminaires

MPWS SERIES

PROJECT INFORMATION

Job Name _____

Fixture Type _____

Catalog Number _____

Approved by _____

PRODUCT FEATURES:

- » Controls up to four separate lights/loads
- » Quick on/off of any light (load)
- » Provides easy access for clinicians
- » Seamlessly integrates with any nurse call system
- » Allows staff to dim the lights when used with Kenall LVCD

SPECIFICATIONS

ELECTRICAL: Dry contact, momentary, normally open switch, capable of switching 5 VDC at 0.5 mA.

PRODUCT DESCRIPTION: Stainless steel wall plate with silkscreen overlay graphic unique to specified configuration. Up to four (4) momentary close membrane switches to provide low-voltage trigger of luminaire low-voltage controller (LVC) device. When used in conjunction with the dimming LVC (LVCD) luminaire option, a prolonged button press on applicable functions allows dimming of the respective lamping function. See individual product specification sheets for details.

INSTALLATION: Wall plate mounts with two (2) provided Philips-head fasteners to a single-gang wall box. Stranded 22AWG wire leads provided.



ORDERING INFORMATION (Ex: MPWS-AE)

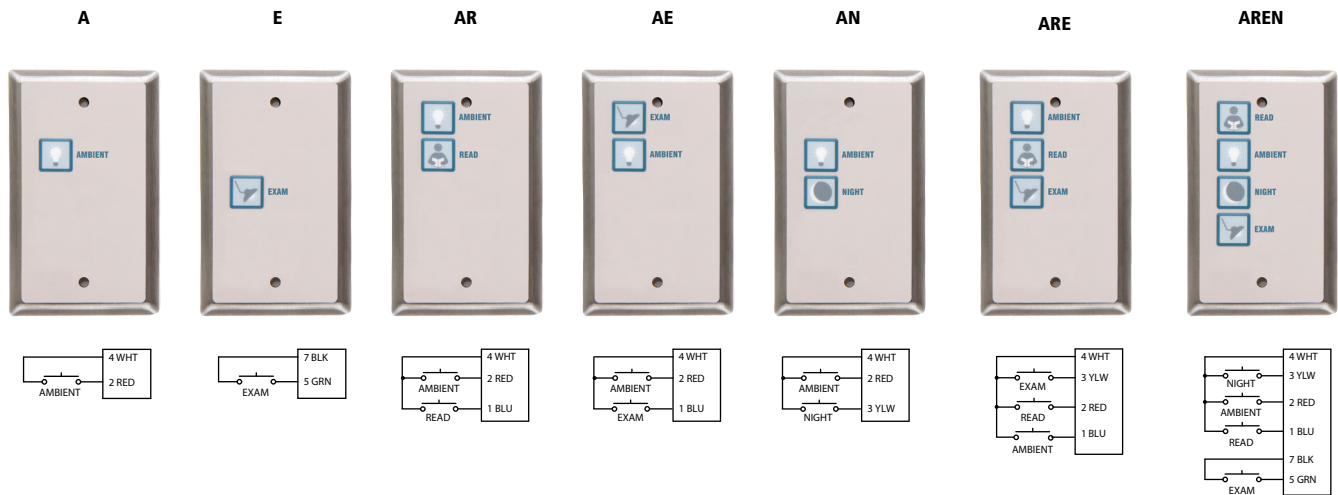
Model _____ Configuration _____

MPWS

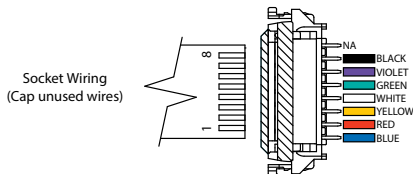
Configuration

- A** Ambient
- E** Exam
- AR** Ambient/Reading
- AE** Ambient/Exam
- AN** Ambient/Night Light
- ARE** Ambient/Reading/Exam
- AREN** Ambient/Reading/Exam/Night Light

CONFIGURATION



SOCKET WIRING



www.kenall.com | P: 800-4-Kenall | F: 262-891-9701 | 10200 55th Street Kenosha, Wisconsin 53144, USA

A brand of **legrand**

This product complies with the Buy American Act: manufactured in the United States with more than 50% of the component cost of US origin. It may be covered by patents found at www.kenall.com/patents. Content of specification sheets is subject to change; please consult www.kenall.com for current product details. ©2019 Kenall Mfg. Co.