

MIGHTY MAC™

RMCD SERIES using Indigo-Clean Technology

PRODUCT FEATURES:

- » Provides environmental disinfection and effective, efficient lighting performance via visible LED light
- » Dual-Mode Indigo-Clean Technology is independently tested to kill 94% of SARS CoV-2 and Influenza-A***, in addition to MRSA
- » Single-Mode Indigo-Clean Technology is independently tested to kill harmful bacteria, such as Staph*, including MRSA**
- » Recessed convertible ceiling mount
- » TIG-welded housing without post-weld grinding and full-length concealed internal piano hinge for strength
- » Ligature resistant construction



PROJECT INFORMATION

Job Name _____

Fixture Type _____

Catalog Number _____

Approved by _____

SPECIFICATIONS

HOUSING: Die-formed prime grade material as specified – see Ordering Information. TIG and spot welded construction. Full length completely concealed internal piano hinge (1/2" knuckle/1/8" diameter pin) standard. Pin secured to knuckle. Hinge welded to door. TGIC polyester powder coat – 5-stage pre-treatment. Salt spray test: 1,000 hours; Reflectance: 92%.

LENS: As specified – maximum overall thickness .375" – see Ordering Information. High-efficiency diffused DR acrylic inner lens. Lens retention by vertically adjustable continuous "Z" brackets of prime grade material, secured to housing via thru-studs (6" maximum spacing). Polyurethane foam prevents light leaks from luminaire base.

DOOR: One-piece die-formed prime grade material as specified – see Ordering Information. Corners continuously seam welded and smooth with no post grinding (TIG).

FASTENERS: Fully recessed hardened security screws as specified – see Ordering Information.

ELECTRICAL: (Single- and Dual-Mode ICT) Serviceable mid-power white and 405nm Indigo LED array. Available 3200K, 3700K and 4300K color temperatures with 3-step MacAdam variation allowance. Minimum 82 CRI standard. 120-277VAC and 347VAC electrical input with serviceable high power factor electronic, constant-current drivers (<10% THD, >0.90 PF). Minimum 85% driver efficiency. Standard 0-10V dimming with 1-100% range and dim-to-dark capabilities (non-dim-to-dark on Dual-Mode ICT). 330µA maximum source current. **Single-Mode ICT** provides a single, white disinfection operational mode. **Dual-Mode ICT** provides two operational modes based on room occupancy. White Disinfection Mode is a white LED array for ambient lighting plus a simultaneous low-power 405nm LED array for low-level, continuous and safe environmental disinfection. Indigo Disinfection Mode is a higher-level 405nm array for continuous safe environmental disinfection during periods of room vacancy. The operational mode is determined via internal low-voltage device based upon the input signal provided by an external control device/system, such as the IC150 product. Luminaire dimming is overridden in this operational state. Refer to the [Kenall Dual-Mode ICT Control Application Guide](#) for further description.

WARRANTY: Limited five (5) year warranty on LED lamps.

PHOTOMETRICS: Photometry tested to the IESNA LM-79-08 standard by an ILAC/ISO17025 accredited laboratory. For photometric information, go to www.kenall.com.

LISTINGS: Luminaire is certified to UL 1598 and UL 8750 standards by Intertek Testing Services for Damp Locations. See Ordering Information for Wet Location applications. Non IC rated. Ligature resistant construction. EPA Est. No. 99283-WI-1

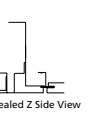
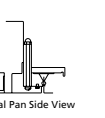
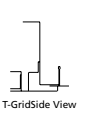
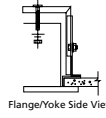
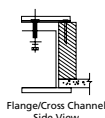
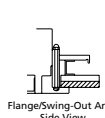
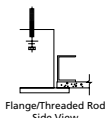
* Per independent lab report #SGS-09517036476. Contact Kenall for a copy of this report.
 **Antimicrobial Activity of a Continuous Visible Light Disinfection System by Rutala, et. al, ID Week 2016.
 *** Refer to www.indigo-clean.com for details



ORDERING INFORMATION (Ex: RMCD-4-TG-2/1-231/55C-37K8-DCC-DV-SYM/9-1-LEL)

Model	Size	Ceiling Type	Door/Housing	Lamp Power	Lamp Color	Driver Type	Voltage	Lens (Inner/Outer)	Fasteners	Options
RMCD			/			DCC		SYM /		
	Nominal Size			Lamp Power				Lens (Inner/Outer)‡		
	2 24"×24"			2' Nominal Length				G .125" Clear Polycarbonate		
	4 24"×48"			55C 55W Single-Mode ICT				7 .187" Clear Polycarbonate		
				82C 82W Single-Mode ICT				8 .187" Clear Tempered Glass		
				231/55C 55W Dual-Mode ICT				9 .250" Clear Polycarbonate		
				341/82C 82W Dual-Mode ICT				A .250" Clear Tempered Glass		
	Ceiling Type			4' Nominal Length				SYM Symmetric, Diffused DR Acrylic		
	FL/TR Flange/Threaded Rod			55C 55W Single-Mode ICT						
	FL/CC Flange/Cross Channel			82C 82W Single-Mode ICT						
	FL/Y Flange/Yoke			110C 110W Single-Mode ICT						
	FL/SA Flange/Swing-Out Arms			231/55C 55W Dual-Mode ICT						
	TG T-Grid			341/82C 82W Dual-Mode ICT						
	MPA Metal Pan			461/110C 110W Dual-Mode ICT						
	CZ Concealed Z-Spline									
	Door/Housing Material			Lamp Color				Fastener		
	0 14-Ga CRS (Painted White)			32K8 3200K / 82 CRI min.				1 Torx® T-20 Head w/ Center Pin		
	1 16-Ga CRS (Painted White)			37K8 3700K / 82 CRI min.				2 Allen Head w/ Center Pin		
	2 18-Ga CRS (Painted White)			43K8 4300K / 82 CRI min.						
	3 14-Ga SS (Painted White)			Driver Type				Options		
	4 16-Ga SS (Painted White)			DCC Dimming Constant Current				LEL† Integral 10W Emergency Battery Backup (4' only, 55W max; 0°C min ambient)		
	B 18-Ga SS (Painted White)			Voltage				LELST† Integral 6W Self-Testing Emergency Battery Backup (4' only, 55W max; 0°C min ambient)		
	6* 14-Ga SS (Brushed)			DV 120-277VAC, 50/60Hz				NLW† 2700K White LED Night Light		
	7* 16-Ga SS (Brushed)			347 347VAC, 60Hz				NLA† Amber LED Night Light		
	A* 18-Ga SS (Brushed)							FS Single Fuse & Holder		
								SC Specified Ceiling		
								WL Wet Location Listed		

* n/a as Hsg. Material
 ‡ Refer to lens specifications
 † n/a with 347V input
 ‡ Consult Grid system manufacturer for product compatibility



ACCESSORIES ORDERED SEPARATELY
IC150 External Room Control System for Dual-Mode ICT Products
 (click [here](#) for Specifications)



www.kenall.com | P: 800-4-Kenall | F: 262-891-9700 | 10200 55th Street Kenosha, Wisconsin 53144, USA

A brand of **legrand**

This product can comply with the latest domestic preference legislation, such as the Buy American Act (BAA), Trade Agreement Act (TAA), Build America, Buy America Act (BABA), and others. It may be covered by patents found at www.kenall.com/patents. Content of specification sheets is subject to change; please consult www.kenall.com for current product details. ©2024 Kenall Mfg. Co.

MIGHTY MAC™

RMCD SERIES using Indigo-Clean Technology

PERFORMANCE

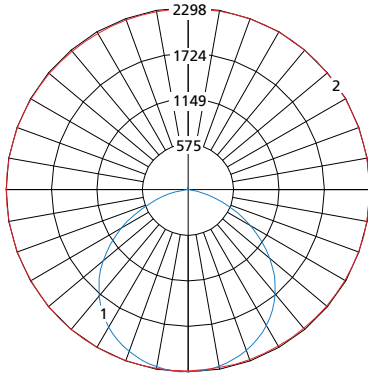
Technology	Length	Lamp Code	Lumen Output by Color (lm) ¹			Efficacy (lm/W)	Power Consumption ²			Estd L70 LED Life (Hrs)
			32K8	37K8	43K8		Occupied (W)	LPD (W)	Unoccupied (W)	
Single-Mode ICT	2	55C	4,109	4,216	4,259	67 - 70	61	51	n/a	80,000
		82C	6,206	6,367	6,432	67 - 69	93	77		
	4	55C	4,767	4,891	4,941	78 - 81	61	51		
		82C	7,199	7,386	7,461	77 - 80	93	77		
		110C	8,872	9,102	9,195	73 - 75	122	101		
Dual-Mode ICT	2	23/55C	4,109	4,216	4,259	67 - 70	61	51	29	80,000
		34/82C	6,206	6,367	6,432	67 - 69	93	77	44	
	4	23/55C	4,767	4,891	4,941	78 - 81	61	51	29	
		34/82C	7,199	7,386	7,461	77 - 80	93	77	44	
		46/110C	8,872	9,102	9,195	73 - 75	122	101	58	

¹ Lumen output is with the SYM/9 lens type. Information subject to change without notice. Visit www.kenall.com for IES files and additional information.

² Lighting Power and Energy Calculations:

- Use **Occupied Power** for total electrical load calculations. Use this value to estimate branch circuit lighting loads.
- Use **LPD Power** for lighting power density calculations. Only the power attributed to white light is required per NEMA LSD EB 84-202X. Power used toward germicidal disinfection has been removed for this calculation.
- Use **Unoccupied** and **Occupied Power** for Energy calculations to determine the power consumed over time based on the use of the space.

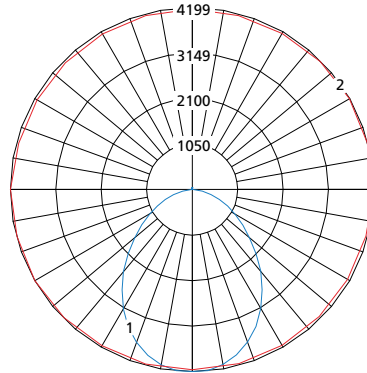
Model: RMCD-2-xx-2/2-82C-37K8-DCC-DV-SYM/9-1 and
RMCD-2-xx-2/2-34/82C-37K8-DCC-DV-SYM/9-1



Maximum Candela = 2298 Located At Horizontal Angle = 230, Vertical Angle = 2.5

- 1 - Vertical Plane Through Horizontal Angles (230-50) (Through Max. Cd.)
- 2 - Horizontal Cone Through Vertical Angle (2.5) (Through Max. Cd.)

Model: RMCD-4-xx-2/2-110C-37K8-DCC-DV-SYM/9-1 and
RMCD-4-xx-2/2-46/110C-37K8-DCC-DV-SYM/9-1



Maximum Candela = 4199 Located At Horizontal Angle = 210, Vertical Angle = 5

- 1 - Vertical Plane Through Horizontal Angles (210-30) (Through Max. Cd.)
- 2 - Horizontal Cone Through Vertical Angle (5) (Through Max. Cd.)

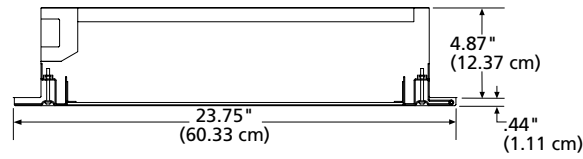


MIGHTY MAC™

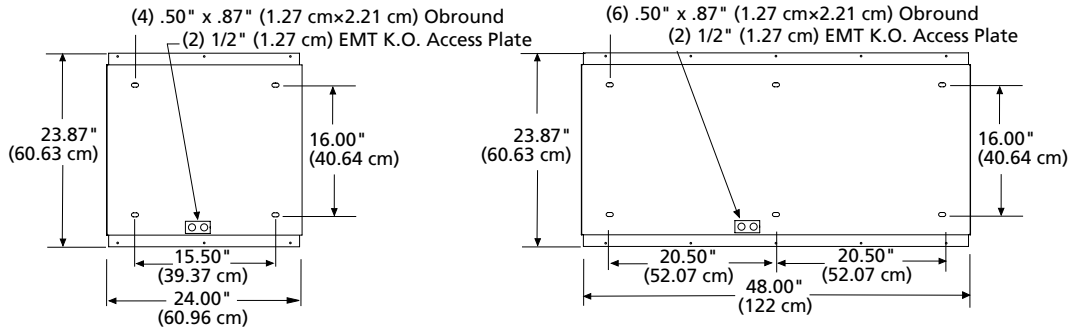
RMCD SERIES using Indigo-Clean Technology

DIMENSIONAL DATA

CROSS SECTION



MOUNTING HOLES



RECOMMENDED CEILING CUTOUT: 24.25" x 22.44" (61.60 cm x 56.99 cm)

RECOMMENDED CEILING CUTOUT: 48.25" x 22.44" (122 cm x 56.99 cm)

