

SENSCAPE™

Luminaires for Parks, Campus and Commercial Areas

SA26 SERIES

PROJECT INFORMATION

Job Name _____

Fixture Type _____

Catalog Number _____

Approved by _____

PRODUCT FEATURES:

- » Architectural, modern design aesthetic scaled for mounting heights of 15-30 feet
- » Multiple mounting configuration and optical distribution options to suit all common area lighting scenarios
- » TekLink advanced wireless networked control and innovative Integrated Camera Module options
- » Lumen outputs up to 43,000lm with color temperatures ranging from 3000K to 5000K



POST TOP MOUNT



POLE MOUNT



WALL MOUNT

SPECIFICATIONS

HOUSING: Marine-grade die-cast aluminum construction. Integral aluminum heat sink with concealed air inlet and convection fins. All power electronics removed from primary thermal path; all drivers with dedicated heatsink to exterior of luminaire. TGIC polyester powder coat finish with five-step pre-treatment; salt-spray test 1,000 hours. See Ordering Information for available finishes. Closed-cell silicone gasketing at all housing interfaces.

MOUNTING: Post Top: Fitter assembly mounts over a 2-3/8" tenon on 3, 4 and 5 inch round and square poles and secured via six recessed, corrosion resistant set screws. Fitter design provides gentle transition to 3" O.D. round pole. Pole Mount: Internal bracket and hardware provided for drilled round and square 3 inch and larger poles. Wall Mount: Quick and simple mounting bracket allows four point mounting to rigid walls.

OPTICS: Type II, III, IV and V Square optical distributions. Each type available with Narrow, Medium and Wide options for glare mitigation (Wide has the lowest level of glare mitigation, Narrow the highest). Internal house-side shield available (does not impact EPA). Injection-molded acrylic or polycarbonate tertiary outer lens.

ELECTRICAL: Replaceable high-brightness LED array. See Ordering Information for color temperature options. 120-277VAC or 277V-480VAC, 50/60Hz input with replaceable high power factor electronic constant-current driver (<10% THD, >0.95 PF). Standard 0-10V dimming with 10-100% range. Dim-to-dark capabilities on 108L/166L with CV input voltage, otherwise non-dim-to-dark. 0.9mA max. driver source current. Minimum 85% driver efficiency. EMC performance compliant with FCC CFR Part 15. Serviceable surge protection device rated to 6kV per ANSI C62.41-2002 category C low.

TEKLINK TL2000: An adaptive lighting control system that utilizes a wireless communication scheme between system nodes. In addition to occupancy detection via camera and daylight harvesting, the TL2000 system features advanced scheduling and energy management capabilities with cloud-based control of system settings, reporting, and notifications.

INTEGRATED CAMERA MODULE: Flexible integration with 3rd party video or security platforms via WiFi or Ethernet. Camera supports 1080p at 30 frames per second. The ICM option is a stand-alone camera independent of the TekLink system.

PHOTOMETRICS: Photometry tested to the IESNA LM-79-08 standard by an ILAC/ISO17025 accredited laboratory. For photometric data, please go to www.kenall.com.

WARRANTY: Limited five (5) year warranty.

LISTINGS: Luminaire is certified to UL Standards by Intertek Testing Laboratory for Wet Location. IP65 rating per IEC 60598. Luminaire is 3G tested for vibration per ANSI C136.31. Suitable for installation into -40°C to 40°C ambient environments.



ORDERING INFORMATION (Ex: SA26-PM-MB-4-M-H-P-166L-40K8-DCC-DV)

Model	Mounting	Finish	Distribution	Diffusion	House-Side	Lens Type	Lamp Power	Lamp Color	Driver	Voltage	Options	TekLink	Controls Kit
SA26									DCC			< >	< >
Mounting				Diffusion				Lamp Color				TekLink	
PT	Post Top Mount			N	Narrow (Full Diffusion)			30K8	3000K/80CRI min			TL2000*	Wireless Network Control - Advanced (Click here for specifications)
PM	Pole Mount			M	Medium (Softened Diffusion)			40K7	4000K/70CRI min				
WM	Wall Mount			W	Wide (Clear)			40K8	4000K/80CRI min				
								50K7	5000K/70CRI min				Please consult Kenall Applications if your application requirements are not listed here.
Finish				House-Side Shield				Driver Type				Controls Kit	
MW	Matte White (PCTT80126)			H*	House-Side Shield			DCC	0-10V Dimming Constant Current			< >	Factory Assigned Internal Code
LG	Light Gray (PCTT70124)			S	No House-Side Shield			Input Voltage					
BR	Bronze (PCTT25109)			Lens Type				DV	120-277VAC, 50/60Hz				* n/a with 5S Distribution Type
DB	Dark Bronze (PCTT20123)			P	Polycarbonate			CV#	277-480VAC, 50/60Hz				‡ n/a with 132L lamp
MB	Matte Black (PCTT90115)			A	Acrylic			Options					▲ Flexible integration with 3rd party video or security platforms via WiFi or Ethernet (CAT5). Embedded camera supports 1080p at 30 frames per second
IV	Ivory (PPL92485)			Lamp Power				RL†	Rotate optics 90 degrees Left				† n/a with PT Mounting or 5S Distribution Type
FG	Forest Green (PLGT3)			108L	108W LED			RR†	Rotate optics 90 degrees Right				▼ N7P, ICM and TL2000 are not available in conjunction
SL	Silver (PCTT75112)			132L	132W LED			FS	Single Fuse & Holder				
CC	Custom Color (consult factory)			166L	166W LED			N7P*	NEMA 7 Pin Receptacle (Photocell by others)				
Distribution Type				214L	214W LED			ICM**	Integrated Camera Module				
2	Type II			288L	288W LED			BG	Bird Guard				
3	Type III												
4	Type IV												
5S	Type V Square												



SENSCAPE™

Luminaires for Parks, Campus and Commercial Areas

SA26 SERIES

PERFORMANCE

Optic Type	Optic Width	House-Side Shield	Lens Type	Luminaire Performance, by Lamp Power									
				108L		132L		166L		214L		288L	
				Lumens (lm)	BUG Rating	Lumens (lm)	BUG Rating	Lumens (lm)	BUG Rating	Lumens (lm)	BUG Rating	Lumens (lm)	BUG Rating
Type II	N	H	P	6,003	B1-U0-G1	7,354	B1-U0-G1	10,034	B1-U0-G1	12,555	B2-U0-G1	16,022	B2-U0-G2
		S		14,566	B3-U0-G2	17,845	B3-U0-G3	24,347	B4-U0-G3	30,463	B4-U0-G3	38,876	B5-U0-G3
	M	H		6,355	B1-U0-G1	7,785	B1-U0-G1	10,622	B1-U0-G2	13,291	B1-U0-G2	16,961	B2-U0-G2
		S		14,810	B3-U0-G2	18,144	B3-U0-G3	24,756	B4-U0-G3	30,974	B4-U0-G3	39,529	B5-U0-G4
	W	H		7,462	B1-U0-G2	9,141	B1-U0-G2	12,472	B1-U0-G2	15,605	B1-U0-G2	19,915	B2-U0-G3
		S		15,698	B3-U0-G3	19,231	B3-U0-G3	26,239	B4-U0-G3	32,830	B4-U0-G3	41,897	B4-U0-G4
Type III	N	H	P	5,775	B1-U0-G1	7,075	B1-U0-G1	9,653	B1-U0-G1	12,078	B2-U0-G1	15,414	B2-U0-G2
		S		14,432	B3-U0-G2	17,681	B3-U0-G3	24,124	B4-U0-G3	30,184	B4-U0-G3	38,519	B5-U0-G3
	M	H		6,117	B1-U0-G1	7,495	B1-U0-G1	10,225	B1-U0-G2	12,794	B1-U0-G2	16,327	B2-U0-G2
		S		14,639	B3-U0-G2	17,934	B3-U0-G3	24,469	B4-U0-G3	30,616	B4-U0-G3	39,071	B5-U0-G4
	W	H		7,176	B1-U0-G2	8,792	B1-U0-G2	11,995	B1-U0-G2	15,009	B1-U0-G2	19,153	B2-U0-G3
		S		15,506	B3-U0-G3	18,997	B3-U0-G3	25,919	B4-U0-G3	32,430	B4-U0-G3	41,386	B4-U0-G4
Type IV	N	H	P	6,388	B1-U0-G1	7,826	B1-U0-G1	10,678	B2-U0-G1	13,360	B2-U0-G2	17,050	B2-U0-G2
		S		14,730	B3-U0-G2	18,046	B3-U0-G3	24,621	B4-U0-G3	30,806	B4-U0-G3	39,314	B5-U0-G3
	M	H		6,684	B1-U0-G1	8,188	B1-U0-G2	11,172	B1-U0-G2	13,978	B2-U0-G2	17,839	B2-U0-G2
		S		14,934	B3-U0-G2	18,297	B3-U0-G3	24,963	B4-U0-G3	31,234	B4-U0-G3	39,860	B5-U0-G3
	W	H		7,811	B1-U0-G2	9,570	B1-U0-G2	13,057	B1-U0-G2	16,336	B1-U0-G3	20,848	B2-U0-G3
		S		15,748	B3-U0-G3	19,294	B3-U0-G3	26,324	B4-U0-G3	32,936	B4-U0-G4	42,032	B4-U0-G4
Type V Square	N	S	P	15,113	B3-U0-G1	18,515	B4-U0-G1	25,262	B4-U0-G2	31,608	B5-U0-G2	40,337	B5-U0-G2
	M			15,229	B3-U0-G2	18,658	B4-U0-G2	25,456	B4-U0-G2	31,851	B5-U0-G2	40,647	B5-U0-G3
	W			16,241	B4-U0-G2	19,897	B4-U0-G2	27,147	B5-U0-G3	33,967	B5-U0-G3	43,347	B5-U0-G4
Input Power (W)				115		146		178		229		306	
Input Current @ 277VAC (A)				0.430		0.546		0.660		0.905		1.160	
Calculated L70 (Hrs)				110,000		95,000		85,000		65,000		65,000	

NOTE: Product performance provided with 40K8 lamp color (108L & 132L) and 40K7 lamp color (all others). See Lamp Color Scaling Table for lumen multiplier required when specified in alternate colors. Information subject to change without notice. Please see www.kenall.com for additional information and .IES files.

LAMP COLOR SCALING FACTOR

Lamp Power	30K8	40K7	40K8	50K7
108L / 132L	0.97	1.06	1.00	1.07
166L / 214L / 288L	0.81	1.00	0.88	1.00

EPA DATA

Mounting	Pole Mount	Post Top
EPA	0.842 ft²	1.415 ft²
Weight	38 lbs	45 lbs

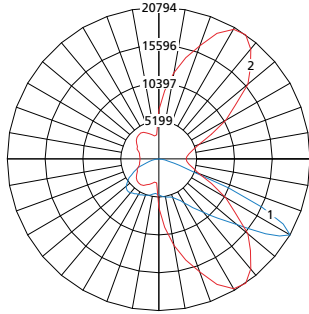


SENSCAPE™
Luminaires for Parks, Campus and Commercial Areas
SA26 SERIES

For additional photometry, go to www.kenall.com

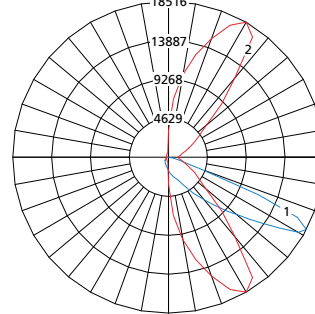
PERFORMANCE

Model: SA26-yy-zz-2-W-S-P-214L-40K7-DCC-DV



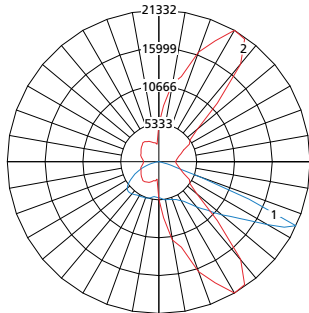
Max Candela = 20794 Located At Horizontal Angle = 60, Vertical Angle = 62.5
 1 - Vertical Plane Through Horizontal Angles (60 - 240) (Through Max. Cd.)
 2 - Horizontal Cone Through Vertical Angle (62.5) (Through Max. Cd.)

Model: SA26-yy-zz-2-W-H-P-214L-40K7-DCC-DV



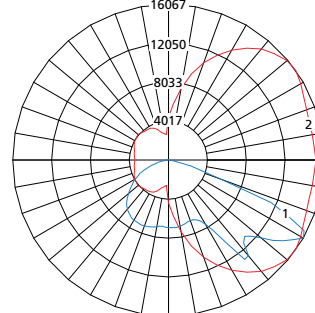
Max Candela = 18516 Located At Horizontal Angle = 60, Vertical Angle = 62.5
 1 - Vertical Plane Through Horizontal Angles (60 - 240) (Through Max. Cd.)
 2 - Horizontal Cone Through Vertical Angle (62.5) (Through Max. Cd.)

Model: SA26-yy-zz-3-W-S-P-214L-40K7-DCC-DV



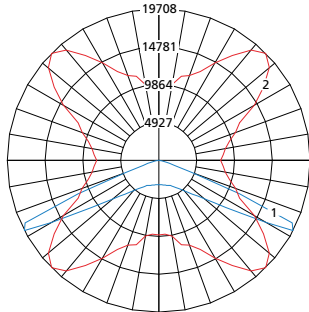
Max Candela = 21332 Located At Horizontal Angle = 60, Vertical Angle = 67.5
 1 - Vertical Plane Through Horizontal Angles (60 - 240) (Through Max. Cd.)
 2 - Horizontal Cone Through Vertical Angle (67.5) (Through Max. Cd.)

Model: SA26-yy-zz-4-W-S-P-214L-40K7-DCC-DV



Max Candela = 16067 Located At Horizontal Angle = 35, Vertical Angle = 65
 1 - Vertical Plane Through Horizontal Angles (35 - 215) (Through Max. Cd.)
 2 - Horizontal Cone Through Vertical Angle (65) (Through Max. Cd.)

Model: SA26-yy-zz-5S-W-S-P-214L-40K7-DCC-DV



Max Candela = 19708 Located At Horizontal Angle = 45, Vertical Angle = 65
 1 - Vertical Plane Through Horizontal Angles (45 - 225) (Through Max. Cd.)
 2 - Horizontal Cone Through Vertical Angle (65) (Through Max. Cd.)



www.kenall.com

P: 800-4-Kenall

F: 262-891-9701

10200 55th Street Kenosha, Wisconsin 53144

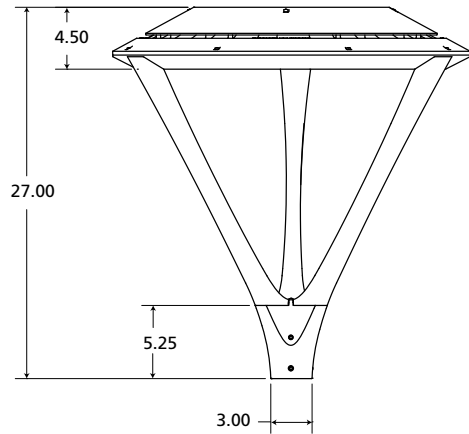
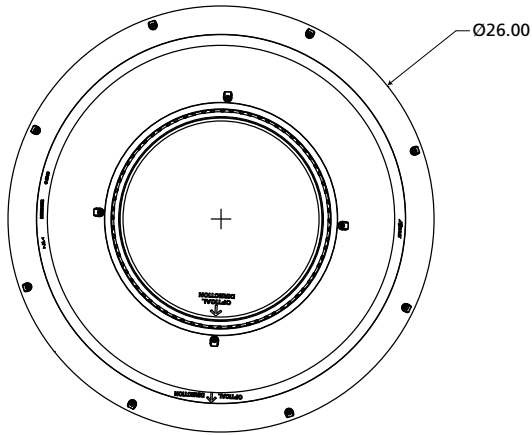
A brand of **legrand**

This product may be covered by patents found at www.kenall.com/patents. Content of specification sheets is subject to change; please consult www.kenall.com for current product details.
 © 2022 Kenall Mfg. Co. All rights reserved.

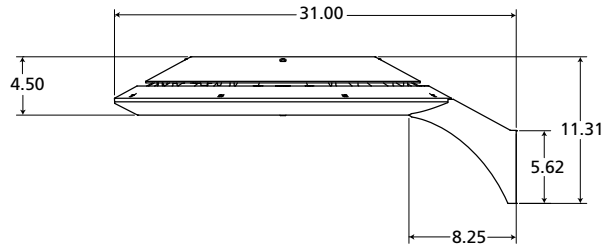
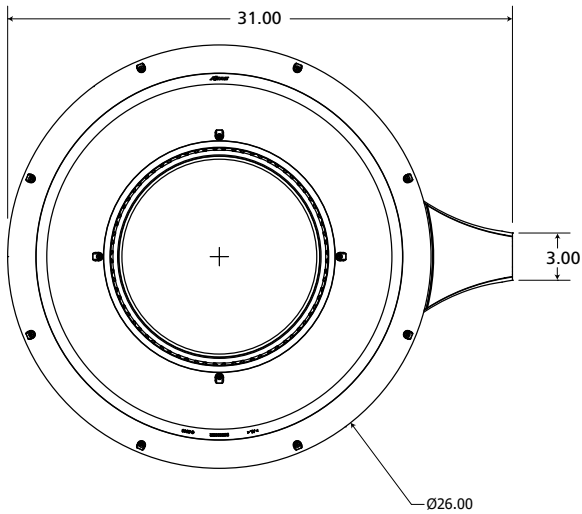
SENSCAPE™
Luminaires for Parks, Campus and Commercial Areas
SA26 SERIES

DIMENSIONAL DATA

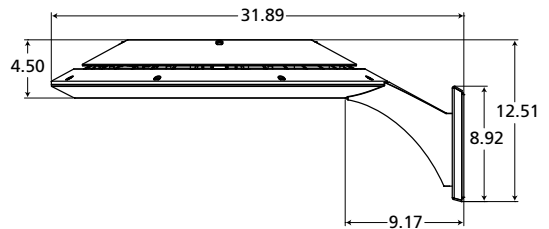
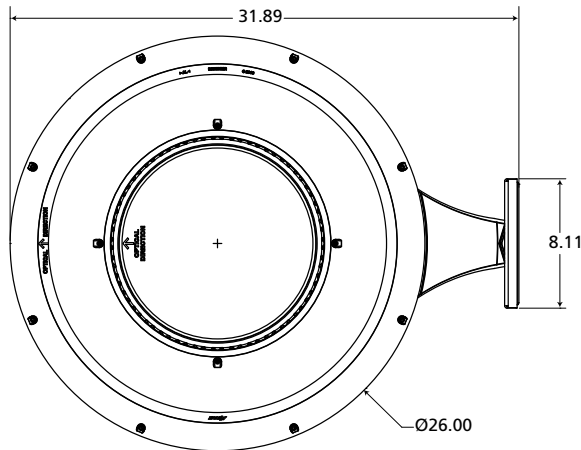
Post Top Mount



Pole Mount



Wall Mount



www.kenall.com

P: 800-4-Kenall

F: 262-891-9701

10200 55th Street Kenosha, Wisconsin 53144

A brand of **legrand**

This product may be covered by patents found at www.kenall.com/patents. Content of specification sheets is subject to change; please consult www.kenall.com for current product details.
© 2022 Kenall Mfg. Co. All rights reserved.