

SENSCAPE™

SPG18 SERIES

PRODUCT FEATURES:

- » Textured tertiary lens for glare reduction and up-light feature to eliminate "cave-effect"
- » Outputs ranging from 3,086 lm to 12,943 lm
- » Compatible with TekLink™ lighting control technology
- » 10 Year limited product warranty



(optional debris shield (-DS))

PROJECT INFORMATION

Job Name _____

Fixture Type _____

Catalog Number _____

Approved by _____

SPECIFICATIONS

HOUSING: Marine-grade die-cast aluminum and UV-stabilized polycarbonate construction. Standard TGIC polyester powder coat finish on aluminum components with five-step pre-treatment to withstand 1,000 hour salt spray test per ASTM B117. Painted white finish. Closed-cell silicone gasketing seals all housing component interfaces.

TRIM: High-impact resistant, UV-stabilized polycarbonate. See ordering information for available finishes.

MOUNTING: Direct-to-Surface (DTS) mounts over recessed electrical box to ceiling, Quick-Mount (QM) mounts to either surface or recessed electrical box, Trunnion Mount (TK) or pendant-mounted (PM) via ¾" rigid sealed conduit. See Ordering Information for selection.

OPTICAL: Type V-Square, V-Narrow and House-side Shield distributions. Multiple uplight options optically coupled to primary light source requires no additional electrical power to provide function. UV-stabilized, high-impact resistant injection-molded clear textured polycarbonate or DR acrylic tertiary lens.

ELECTRICAL: Arrayed backlit mid-power LED light source. See Ordering Information for color temperature and CRI options. 70 CRI minimum. 120-277 VAC, 347VAC and 480VAC 50/60Hz single-phase input; constant-current dimming driver; <20% THD, >0.90 PF. Minimum 83% electrical efficiency. 0-10V dimming protocol with 10-100% range (1-100% on 45L and 70L); dim-to-dark capabilities on 45L/70L/104L/122L; 0.9mA max source current. Replaceable surge suppressor rated to 20kA/kV per IEEE/ANSI C62.41 Cat. A. EMC compliant with FCC 47 CFR Part 15, Class B. Passes IEC 61000-4-4 EFT and IEC 61000-4-5 (Class 4) surge evaluation.

TEKLINK™ TL50M/TL50DM: An independent lighting control system integral to the luminaire, featuring its own embedded occupancy sensor and adjustable time-out/dimming settings. TL50DM adds a closed-loop daylight harvesting function for maximum energy savings.

TEKLINK™ TL100: Centralized, wired zonal occupancy and closed-loop daylight harvesting control system. TL100 controllers are standalone devices and ordered separately from luminaire. [Click here for specifications.](#)

TEKLINK™ TL1000/2000: An adaptive lighting control system with wired or wireless communication between system nodes. In addition to occupancy detection and daylight harvesting, TL1000 and TL2000 feature advanced scheduling and energy management capabilities with cloud-based management of system settings, reporting and notifications.

TEKLINK™ TL2000PS: An adaptive lighting control system utilizing an embedded image sensor with wireless communication to bridge. The image sensor provides advanced capability with video analytics, supporting car counting data reporting and standard lighting control features for occupancy detection and light level sensing.

SENSOR & CONTROLS: Optional sensor available with compatible third party controls. To see the full list of compatible controls, [click here.](#)

PHOTOMETRICS: Photometry tested to the IESNA LM-79-08 standard by an ILAC/ISO17025 accredited laboratory. For photometric data, please go to www.kenall.com.

WARRANTY: Limited ten (10) year warranty. Limited five (5) year warranty when constructed with HA option. [Peace of Mind Guarantee®](#) when ordered and installed with direct-to-surface (DTS) mounting and polycarbonate lens (TP).

LISTINGS: Luminaire is certified to UL Standards by Intertek Testing Laboratory for Wet Location. IP65 rating per IEC 60598 standard with optional IP66 rating. Suitable for installation into -40°C to 40°C ambient environments, unless otherwise noted. Passes 3G vibration test per ANSI C136.31-2001. Luminaire tested to an IK10 impact protection rating per IEC 60068-2-75:1997-08 (TP Lens Type required).



ORDERING INFORMATION (Ex: SPG18-PM-MW-5S-SU-TP-45L-40K7-DCC-DV-IP66-TL50M)

Model	Mounting	Trim	Optic Type	Uplight	Lens Type	Lamp Power	Lamp Color	Driver Type	Voltage	Options	Accessories	TekLink	Controls Kit
SPG18													< >
DCC													

Mounting						Lamp Power		Driver Type				TekLink	
DTS	Direct-to-Surface					30L	30W LED	DCC	0-10V Dimming Constant Current			TL50M*	Non-Networked Control - Motion Only (Click here for specifications)
PM	Pendant Mount					45L	45W LED					TL50DM*	Non-Networked Control -Daylight Harvesting and Motion Sensing (Click here for specifications)
TK	Trunnion Kit					70L	70W LED	Voltage				TL100*	Wired Network Control - Basic (Click here for specifications)
QM	Quick Mount System					90L	90W LED	DV	120-277 VAC, 50/60Hz (30L - 90L only)			TL1000*	Wired Network Control - Advanced (Click here for specifications)
						104L	104W LED	CV	277-480 VAC, 50/60Hz (104L - 122L only)			TL2000*	Wireless Network Control - Advanced (Click here for specifications)
						122L	122W LED	347	347VAC, 60Hz			TL2000PS*	Wireless Network Control - Image Sensor (Click here for specifications)
								480	480VAC, 60Hz				
Trim Finish								Options					
MW	Matte White (STD)					Lamp Color		LEL†	7W LED Emergency Battery Backup (0°C min. ambient, 70L max.)				
LG	Light Gray					30K8	3000K/80CRI min	CEL†	18W Cold-Weather Battery Backup (-20°C min. ambient, 70L max.)				
CC	Custom Color (consult factory)					35K8	3500K/80CRI min	GTDU†	UL924 and UL1008 Listed Switch Bypass/Lighting Transfer Switch with 0-10V Dimming Override (90L max; not available with LEL/CEL Option)				
Optic Type						40K8	4000K/80CRI min	FS	Single Fuse & Holder				
5S	Type V – Wide Square					40K7	4000K/70CRI min	BG	Bird Guard (DTS and QM Mounting only)				
5N	Type V – Narrow					50K7	5000K/70CRI min	DS*	Debris Shield				
HSS	House-side Shield					57K7	5700K/70CRI min	IP66*	IP66 Rating per IEC60598				
Uplight								HA*	50°C Ambient Rating (see Warranty; n/a battery backup options)				
SU	Standard Uplight (STD)												
EU	Enhanced Uplight												
D	Downlight												
Lens Type													
TP	Textured Polycarbonate (STD)												
TA	Textured Acrylic												

* Available to 90L Lamp Power max.
 † See page 7 for alternate construction when ordered in conjunction with 70L lamp power or higher
 ‡ n/a with TL2000PS
 † DV input voltage only

Accessories
BD Bird Deterrent (PM and TK Mounting only)



www.kenall.com | P: 800-4-Kenall | F: 262-891-9700 | 10200 55th Street Kenosha, Wisconsin 53144, USA
 This product is able to comply with the latest domestic preference legislation, such as the Buy American Act (BAA), Trade Agreement Act (TAA), Build America, Buy America Act (BABA), and others. It may be covered by patents found at www.kenall.com/patents. Content of specification sheets is subject to change; please consult www.kenall.com for current product details. ©2024 Kenall Mfg. Co.

A brand of **legrand**

SENSCAPE™
Luminaires for Parking Garages
SPG18 SERIES

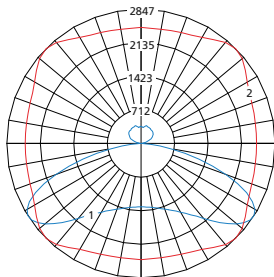
For additional photometry, go to www.kenall.com

Optic			Lamp Power	Initial Delivered Lumens, By Lamp Color [Downlight / Uplight] (lm)						Efficacy (lm/W)	Input Power (W)	Estd. L70 LED Life (hrs)	Delivered Output in LEL Battery Mode (lm)	Delivered Output in CEL Battery Mode (lm)
Distribution	Uplight	Lens Type		57K7	50K7	40K7	40K8	35K8	30K8					
55	SU (12%)	TA	30L	3842 / 524	3842 / 524	3842 / 524	3577 / 488	3577 / 488	3326 / 453	109 - 126	35	125,000	916	1,962
			45L	5674 / 774	5674 / 774	5674 / 774	5283 / 720	5283 / 720	4911 / 670	101 - 116	55	120,000	916	1,962
			70L	7695 / 1049	7695 / 1049	7695 / 1049	7164 / 977	7164 / 977	6660 / 908	98 - 113	78	100,000	916	1,962
			90L	9769 / 1332	9769 / 1332	9769 / 1332	9095 / 1240	9095 / 1240	8455 / 1153	94 - 109	102	80,000	N/A	N/A
			104L	10221 / 1394	10221 / 1394	10221 / 1394	9517 / 1298	9517 / 1298	8847 / 1206	89 - 103	113	100,000	N/A	N/A
			122L	11394 / 1554	11394 / 1554	11394 / 1554	10608 / 1447	10608 / 1447	9862 / 1345	81 - 93	139	80,000	N/A	N/A
		TP	30L	3911 / 533	3911 / 533	3911 / 533	3641 / 497	3641 / 497	3385 / 462	111 - 129	35	125,000	932	1,998
			45L	5775 / 788	5775 / 788	5775 / 788	5377 / 733	5377 / 733	4999 / 682	102 - 118	55	120,000	932	1,998
			70L	7833 / 1068	7833 / 1068	7833 / 1068	7292 / 994	7292 / 994	6779 / 924	99 - 115	78	100,000	932	1,998
			90L	9943 / 1356	9943 / 1356	9943 / 1356	9258 / 1262	9258 / 1262	8606 / 1174	96 - 111	102	80,000	N/A	N/A
			104L	10404 / 1419	10404 / 1419	10404 / 1419	9687 / 1321	9687 / 1321	9005 / 1228	91 - 105	113	100,000	N/A	N/A
			122L	11598 / 1582	11598 / 1582	11598 / 1582	10798 / 1472	10798 / 1472	10038 / 1369	82 - 95	139	80,000	N/A	N/A
	EU (18%)	TA	30L	3565 / 783	3565 / 783	3565 / 783	3319 / 729	3319 / 729	3086 / 677	109 - 126	35	125,000	916	1,962
			45L	5265 / 1156	5265 / 1156	5265 / 1156	4902 / 1076	4902 / 1076	4557 / 1000	100 - 116	55	120,000	916	1,962
			70L	7140 / 1567	7140 / 1567	7140 / 1567	6648 / 1459	6648 / 1459	6180 / 1357	97 - 112	78	100,000	916	1,962
			90L	9065 / 1990	9065 / 1990	9065 / 1990	8440 / 1853	8440 / 1853	7846 / 1722	94 - 108	102	80,000	N/A	N/A
			104L	9485 / 2082	9485 / 2082	9485 / 2082	8831 / 1938	8831 / 1938	8209 / 1802	89 - 103	113	100,000	N/A	N/A
			122L	10573 / 2321	10573 / 2321	10573 / 2321	9844 / 2161	9844 / 2161	9151 / 2009	80 - 93	139	80,000	N/A	N/A
		TP	30L	3629 / 797	3629 / 797	3629 / 797	3379 / 742	3379 / 742	3141 / 690	111 - 128	35	125,000	932	1,998
			45L	5359 / 1176	5359 / 1176	5359 / 1176	4990 / 1095	4990 / 1095	4639 / 1018	102 - 118	55	120,000	932	1,998
			70L	7268 / 1595	7268 / 1595	7268 / 1595	6767 / 1485	6767 / 1485	6291 / 1381	99 - 114	78	100,000	932	1,998
			90L	9227 / 2025	9227 / 2025	9227 / 2025	8591 / 1886	8591 / 1886	7986 / 1753	95 - 110	102	80,000	N/A	N/A
			104L	9655 / 2119	9655 / 2119	9655 / 2119	8989 / 1973	8989 / 1973	8356 / 1834	90 - 104	113	100,000	N/A	N/A
			122L	10762 / 2362	10762 / 2362	10762 / 2362	10020 / 2200	10020 / 2200	9315 / 2045	82 - 95	139	80,000	N/A	N/A
D (0%)	TA	30L	3,992	3,992	3,992	3,717	3,717	3,455	100 - 116	35	125,000	840	1,800	
		45L	5,895	5,895	5,895	5,489	5,489	5,103	92 - 106	55	120,000	840	1,800	
		70L	7,995	7,995	7,995	7,444	7,444	6,920	89 - 103	78	100,000	840	1,800	
		90L	10,150	10,150	10,150	9,450	9,450	8,785	86 - 100	102	80,000	N/A	N/A	
		104L	10,621	10,621	10,621	9,888	9,888	9,192	82 - 94	113	100,000	N/A	N/A	
		122L	11,839	11,839	11,839	11,023	11,023	10,247	74 - 85	139	80,000	N/A	N/A	
	TP	30L	4,064	4,064	4,064	3,783	3,783	3,517	102 - 118	35	125,000	857	1,836	
		45L	6,001	6,001	6,001	5,587	5,587	5,194	94 - 108	55	120,000	857	1,836	
		70L	8,138	8,138	8,138	7,577	7,577	7,044	91 - 105	78	100,000	857	1,836	
		90L	10,332	10,332	10,332	9,619	9,619	8,942	88 - 101	102	80,000	N/A	N/A	
		104L	10,811	10,811	10,811	10,065	10,065	9,357	83 - 96	113	100,000	N/A	N/A	
		122L	12,051	12,051	12,051	11,220	11,220	10,430	75 - 87	139	80,000	N/A	N/A	

Information above is subject to change without notice. Visit www.kenall.com for IES files and additional information.

Standard Uplight

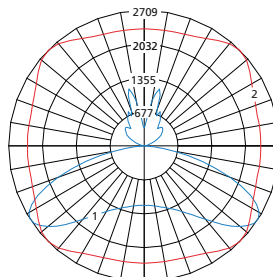
Model: SPG18-DTS-MW-55-SU-TP-90L-40K7-DCC-DV



Max Candela = 2847 Located At Horizontal Angle = 45, Vertical Angle = 57.5
 1 - Vertical Plane Through Horizontal Angles (45 - 225) (Through Max. Cd.)
 2 - Horizontal Cone Through Vertical Angle (57.5) (Through Max. Cd.)

Enhanced Uplight

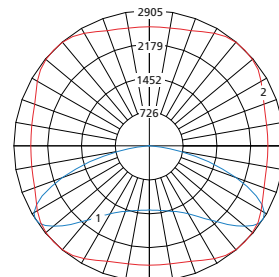
Model: SPG18-DTS-MW-55-EU-TP-90L-40K7-DCC-DV



Max Candela = 2709 Located At Horizontal Angle = 45, Vertical Angle = 57.5
 1 - Vertical Plane Through Horizontal Angles (45 - 225) (Through Max. Cd.)
 2 - Horizontal Cone Through Vertical Angle (57.5) (Through Max. Cd.)

Downlight

Model: SPG18-DTS-MW-55-D-TP-90L-40K7-DCC-DV



Max Candela = 2905 Located At Horizontal Angle = 45, Vertical Angle = 57.5
 1 - Vertical Plane Through Horizontal Angles (45 - 225) (Through Max. Cd.)
 2 - Horizontal Cone Through Vertical Angle (57.5) (Through Max. Cd.)

LUMEN AMBIENT TEMPERATURE (LAT) FACTORS

Avg. Ambient Temperature	10°C	15°C	20°C	25°C	30°C	35°C	40°C
Lumen Output Factor	1.03	1.02	1.01	1	0.99	0.98	0.97



www.kenall.com | P: 800-4-Kenall | F: 262-891-9700 | 10200 55th Street Kenosha, Wisconsin 53144, USA
 This product is able to comply with the latest domestic preference legislation, such as the Buy American Act (BAA), Trade Agreement Act (TAA), Build America, Buy America Act (BABA), and others. It may be covered by patents found at www.kenall.com/patents. Content of specification sheets is subject to change; please consult www.kenall.com for current product details. ©2024 Kenall Mfg. Co.

A brand of **legrand**

SENSCAPE™
Luminaires for Parking Garages
SPG18 SERIES

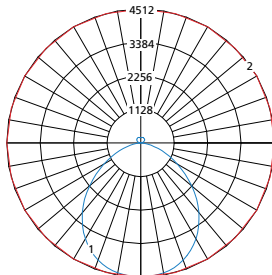
For additional photometry, go to www.kenall.com

Optic			Lamp Power	Initial Delivered Lumens, By Lamp Color [Downlight / Uplight] (lm)						Efficacy (lm/W)	Input Power (W)	Estd. L70 LED Life (hrs)	Delivered Output in LEL Battery Mode (lm)	Delivered Output in CEL Battery Mode (lm)
Distribution	Uplight	Lens Type		57K7	50K7	40K7	40K8	35K8	30K8					
5N	SU (6%)	TA	30L	4288 / 274	4288 / 274	4288 / 274	3992 / 255	3992 / 255	3711 / 237	114 - 132	35	125,000	958	2,052
			45L	6332 / 404	6332 / 404	6332 / 404	5895 / 376	5895 / 376	5480 / 350	105 - 121	55	120,000	958	2,052
			70L	8587 / 548	8587 / 548	8587 / 548	7995 / 510	7995 / 510	7432 / 474	102 - 118	78	100,000	958	2,052
			90L	10901 / 696	10901 / 696	10901 / 696	10150 / 648	10150 / 648	9435 / 602	98 - 114	102	80,000	N/A	N/A
			104L	11407 / 728	11407 / 728	11407 / 728	10620 / 678	10620 / 678	9873 / 630	93 - 108	113	100,000	N/A	N/A
			122L	12715 / 812	12715 / 812	12715 / 812	11838 / 756	11838 / 756	11005 / 702	84 - 98	139	80,000	N/A	N/A
		TP	30L	4336 / 277	4336 / 277	4336 / 277	4037 / 258	4037 / 258	3753 / 240	116 - 134	35	125,000	974	2,088
			45L	6403 / 409	6403 / 409	6403 / 409	5962 / 381	5962 / 381	5542 / 354	106 - 123	55	120,000	974	2,088
			70L	8684 / 554	8684 / 554	8684 / 554	8085 / 516	8085 / 516	7516 / 480	103 - 119	78	100,000	974	2,088
			90L	11024 / 704	11024 / 704	11024 / 704	10264 / 655	10264 / 655	9542 / 609	100 - 115	102	80,000	N/A	N/A
			104L	11535 / 736	11535 / 736	11535 / 736	10740 / 686	10740 / 686	9984 / 637	94 - 109	113	100,000	N/A	N/A
			122L	12859 / 821	12859 / 821	12859 / 821	11972 / 764	11972 / 764	11129 / 710	85 - 99	139	80,000	N/A	N/A
	EU (9%)	TA	30L	4137 / 409	4137 / 409	4137 / 409	3851 / 381	3851 / 381	3580 / 354	114 - 132	35	125,000	958	2,052
			45L	6109 / 604	6109 / 604	6109 / 604	5688 / 563	5688 / 563	5287 / 523	105 - 121	55	120,000	958	2,052
			70L	8285 / 819	8285 / 819	8285 / 819	7713 / 763	7713 / 763	7171 / 709	102 - 117	78	100,000	958	2,052
			90L	10517 / 1040	10517 / 1040	10517 / 1040	9792 / 968	9792 / 968	9103 / 900	98 - 113	102	80,000	N/A	N/A
			104L	11005 / 1088	11005 / 1088	11005 / 1088	10246 / 1013	10246 / 1013	9525 / 942	93 - 107	113	100,000	N/A	N/A
			122L	12267 / 1213	12267 / 1213	12267 / 1213	11421 / 1130	11421 / 1130	10618 / 1050	84 - 97	139	80,000	N/A	N/A
		TP	30L	4182 / 414	4182 / 414	4182 / 414	3893 / 385	3893 / 385	3619 / 358	115 - 133	35	125,000	966	2,070
			45L	6175 / 611	6175 / 611	6175 / 611	5749 / 569	5749 / 569	5345 / 529	106 - 122	55	120,000	966	2,070
			70L	8375 / 828	8375 / 828	8375 / 828	7797 / 771	7797 / 771	7248 / 717	103 - 119	78	100,000	966	2,070
			90L	10632 / 1051	10632 / 1051	10632 / 1051	9899 / 979	9899 / 979	9202 / 910	99 - 115	102	80,000	N/A	N/A
			104L	11125 / 1100	11125 / 1100	11125 / 1100	10357 / 1024	10357 / 1024	9629 / 952	94 - 108	113	100,000	N/A	N/A
			122L	12401 / 1226	12401 / 1226	12401 / 1226	11546 / 1142	11546 / 1142	10733 / 1062	85 - 98	139	80,000	N/A	N/A
D (0%)	TA	30L	4,209	4,209	4,209	3,918	3,918	3,643	105 - 122	35	125,000	882	1,890	
		45L	6,215	6,215	6,215	5,786	5,786	5,379	97 - 112	55	120,000	882	1,890	
		70L	8,429	8,429	8,429	7,847	7,847	7,295	94 - 109	78	100,000	882	1,890	
		90L	10,700	10,700	10,700	9,962	9,962	9,261	91 - 105	102	80,000	N/A	N/A	
		104L	11,196	11,196	11,196	10,424	10,424	9,691	86 - 99	113	100,000	N/A	N/A	
		122L	12,481	12,481	12,481	11,620	11,620	10,802	78 - 90	139	80,000	N/A	N/A	
	TP	30L	4,364	4,364	4,364	4,063	4,063	3,777	109 - 126	35	125,000	916	1,962	
		45L	6,445	6,445	6,445	6,001	6,001	5,578	101 - 116	55	120,000	916	1,962	
		70L	8,741	8,741	8,741	8,138	8,138	7,565	97 - 113	78	100,000	916	1,962	
		90L	11,096	11,096	11,096	10,331	10,331	9,604	94 - 109	102	80,000	N/A	N/A	
		104L	11,611	11,611	11,611	10,810	10,810	10,049	89 - 103	113	100,000	N/A	N/A	
		122L	12,943	12,943	12,943	12,050	12,050	11,202	81 - 93	139	80,000	N/A	N/A	

Information above is subject to change without notice. Visit www.kenall.com for IES files and additional information.

Standard Uplight

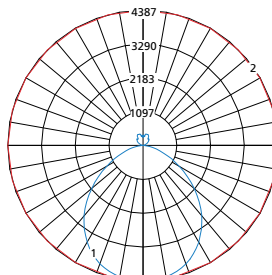
Model: SPG18-DTS-MW-5N-SU-TP-90L-40K7-DCC-DV



Max Candela = 4512 Located At Horizontal Angle = 0, Vertical Angle = 0
 1 - Vertical Plane Through Horizontal Angles (0 - 180) (Through Max. Cd.)
 2 - Horizontal Cone Through Vertical Angle (0) (Through Max. Cd.)

Enhanced Uplight

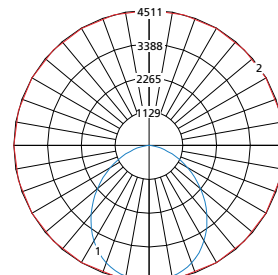
Model: SPG18-DTS-MW-5N-EU-TP-90L-40K7-DCC-DV



Max Candela = 4387 Located At Horizontal Angle = 15, Vertical Angle = 2.5
 1 - Vertical Plane Through Horizontal Angles (15 - 195) (Through Max. Cd.)
 2 - Horizontal Cone Through Vertical Angle (2.5) (Through Max. Cd.)

Downlight

Model: SPG18-DTS-MW-5N-D-TP-90L-40K7-DCC-DV



Max Candela = 4511 Located At Horizontal Angle = 90, Vertical Angle = 2.5
 1 - Vertical Plane Through Horizontal Angles (90 - 270) (Through Max. Cd.)
 2 - Horizontal Cone Through Vertical Angle (2.5) (Through Max. Cd.)

LUMEN AMBIENT TEMPERATURE (LAT) FACTORS

Avg. Ambient Temperature	10°C	15°C	20°C	25°C	30°C	35°C	40°C
Lumen Output Factor	1.03	1.02	1.01	1	0.99	0.98	0.97



www.kenall.com | P: 800-4-Kenall | F: 262-891-9700 | 10200 55th Street Kenosha, Wisconsin 53144, USA
 This product is able to comply with the latest domestic preference legislation, such as the Buy American Act (BAA), Trade Agreement Act (TAA), Build America, Buy America Act (BABA), and others. It may be covered by patents found at www.kenall.com/patents. Content of specification sheets is subject to change; please consult www.kenall.com for current product details. ©2024 Kenall Mfg. Co.

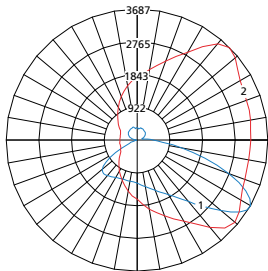
A brand of **legrand**
 Build America, Buy America

Optic			Lamp Power	Initial Delivered Lumens, By Lamp Color [Downlight / Uplight] (lm)						Efficacy (lm/W)	Input Power (W)	Estd. L70 LED Life (hrs)	Delivered Output in LEL Battery Mode (lm)	Delivered Output in CEL Battery Mode (lm)
Distribution	Uplight	Lens Type		57K7	50K7	40K7	40K8	35K8	30K8					
HSS	SU (6%)	TA	30L	3630 / 232	3630 / 232	3630 / 232	3379 / 216	3379 / 216	3142 / 201	97 - 112	35	125,000	815	1,746
			45L	5360 / 342	5360 / 342	5360 / 342	4990 / 319	4990 / 319	4639 / 296	89 - 103	55	120,000	815	1,746
			70L	7269 / 464	7269 / 464	7269 / 464	6768 / 432	6768 / 432	6292 / 402	86 - 100	78	100,000	815	1,746
			90L	9228 / 589	9228 / 589	9228 / 589	8592 / 548	8592 / 548	7987 / 510	83 - 96	102	80,000	N/A	N/A
			104L	9656 / 616	9656 / 616	9656 / 616	8990 / 574	8990 / 574	8357 / 533	79 - 91	113	100,000	N/A	N/A
			122L	10764 / 687	10764 / 687	10764 / 687	10021 / 640	10021 / 640	9316 / 595	71 - 83	139	80,000	N/A	N/A
		TP	30L	3645 / 233	3645 / 233	3645 / 233	3394 / 217	3394 / 217	3155 / 201	97 - 112	35	125,000	815	1,746
			45L	5383 / 344	5383 / 344	5383 / 344	5012 / 320	5012 / 320	4659 / 297	89 - 103	55	120,000	815	1,746
			70L	7301 / 466	7301 / 466	7301 / 466	6797 / 434	6797 / 434	6319 / 403	87 - 100	78	100,000	815	1,746
			90L	9268 / 592	9268 / 592	9268 / 592	8629 / 551	8629 / 551	8022 / 512	84 - 97	102	80,000	N/A	N/A
			104L	9698 / 619	9698 / 619	9698 / 619	9029 / 576	9029 / 576	8394 / 536	79 - 91	113	100,000	N/A	N/A
			122L	10810 / 690	10810 / 690	10810 / 690	10065 / 642	10065 / 642	9357 / 597	72 - 83	139	80,000	N/A	N/A
	EU (9%)	TA	30L	3540 / 350	3540 / 350	3540 / 350	3296 / 326	3296 / 326	3064 / 303	97 - 113	35	125,000	815	1,746
			45L	5228 / 517	5228 / 517	5228 / 517	4867 / 481	4867 / 481	4525 / 448	90 - 104	55	120,000	815	1,746
			70L	7090 / 701	7090 / 701	7090 / 701	6601 / 653	6601 / 653	6136 / 607	87 - 100	78	100,000	815	1,746
			90L	9001 / 890	9001 / 890	9001 / 890	8380 / 829	8380 / 829	7790 / 770	84 - 97	102	80,000	N/A	N/A
			104L	9418 / 931	9418 / 931	9418 / 931	8768 / 867	8768 / 867	8151 / 806	79 - 92	113	100,000	N/A	N/A
			122L	10498 / 1038	10498 / 1038	10498 / 1038	9774 / 967	9774 / 967	9086 / 899	72 - 83	139	80,000	N/A	N/A
		TP	30L	3555 / 352	3555 / 352	3555 / 352	3310 / 327	3310 / 327	3077 / 304	98 - 113	35	125,000	823	1,764
			45L	5250 / 519	5250 / 519	5250 / 519	4888 / 483	4888 / 483	4544 / 449	90 - 104	55	120,000	823	1,764
			70L	7120 / 704	7120 / 704	7120 / 704	6629 / 656	6629 / 656	6163 / 609	87 - 101	78	100,000	823	1,764
			90L	9039 / 894	9039 / 894	9039 / 894	8416 / 832	8416 / 832	7823 / 774	84 - 97	102	80,000	N/A	N/A
			104L	9458 / 935	9458 / 935	9458 / 935	8806 / 871	8806 / 871	8186 / 810	80 - 92	113	100,000	N/A	N/A
			122L	10543 / 1043	10543 / 1043	10543 / 1043	9816 / 971	9816 / 971	9125 / 902	72 - 84	139	80,000	N/A	N/A
D (0%)	TA	30L	3,273	3,273	3,273	3,047	3,047	2,833	82 - 95	35	125,000	689	1,476	
		45L	4,833	4,833	4,833	4,500	4,500	4,183	75 - 87	55	120,000	689	1,476	
		70L	6,555	6,555	6,555	6,103	6,103	5,673	73 - 84	78	100,000	689	1,476	
		90L	8,322	8,322	8,322	7,748	7,748	7,202	71 - 82	102	80,000	N/A	N/A	
		104L	8,707	8,707	8,707	8,107	8,107	7,536	67 - 77	113	100,000	N/A	N/A	
		122L	9,706	9,706	9,706	9,037	9,037	8,401	61 - 70	139	80,000	N/A	N/A	
	TP	30L	3,486	3,486	3,486	3,245	3,245	3,017	87 - 101	35	125,000	731	1,566	
		45L	5,148	5,148	5,148	4,793	4,793	4,455	80 - 93	55	120,000	731	1,566	
		70L	6,981	6,981	6,981	6,499	6,499	6,042	78 - 90	78	100,000	731	1,566	
		90L	8,862	8,862	8,862	8,251	8,251	7,671	75 - 87	102	80,000	N/A	N/A	
		104L	9,273	9,273	9,273	8,634	8,634	8,026	71 - 82	113	100,000	N/A	N/A	
		122L	10,337	10,337	10,337	9,624	9,624	8,947	65 - 75	139	80,000	N/A	N/A	

Information above is subject to change without notice. Visit www.kenall.com for IES files and additional information.

Standard Uplight

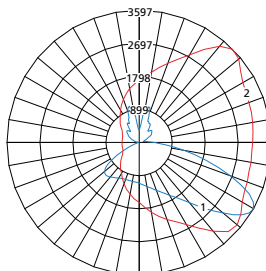
Model: SPG18-DTS-MW-HSS-SU-TP-90L-40K7-DCC-DV



Max Candela = 3687 Located At Horizontal Angle = 45, Vertical Angle = 60
 1 - Vertical Plane Through Horizontal Angles (45 - 225) (Through Max. Cd.)
 2 - Horizontal Cone Through Vertical Angle (60) (Through Max. Cd.)

Enhanced Uplight

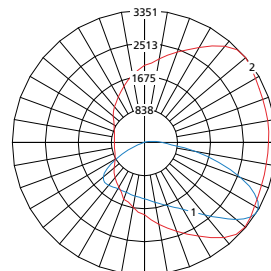
Model: SPG18-DTS-MW-HSS-EU-TP-90L-40K7-DCC-DV



Max Candela = 3597 Located At Horizontal Angle = 45, Vertical Angle = 60
 1 - Vertical Plane Through Horizontal Angles (45 - 225) (Through Max. Cd.)
 2 - Horizontal Cone Through Vertical Angle (60) (Through Max. Cd.)

Downlight

Model: SPG18-DTS-MW-HSS-D-TP-90L-40K7-DCC-DV



Max Candela = 3351 Located At Horizontal Angle = 40, Vertical Angle = 57.5
 1 - Vertical Plane Through Horizontal Angles (40 - 220) (Through Max. Cd.)
 2 - Horizontal Cone Through Vertical Angle (57.5) (Through Max. Cd.)

LUMEN AMBIENT TEMPERATURE (LAT) FACTORS

Avg. Ambient Temperature	10°C	15°C	20°C	25°C	30°C	35°C	40°C
Lumen Output Factor	1.03	1.02	1.01	1	0.99	0.98	0.97



www.kenall.com | P: 800-4-Kenall | F: 262-891-9700 | 10200 55th Street Kenosha, Wisconsin 53144, USA
 This product is able to comply with the latest domestic preference legislation, such as the Buy American Act (BAA), Trade Agreement Act (TAA), Build America, Buy America Act (BABA), and others. It may be covered by patents found at www.kenall.com/patents. Content of specification sheets is subject to change; please consult www.kenall.com for current product details. ©2024 Kenall Mfg. Co.

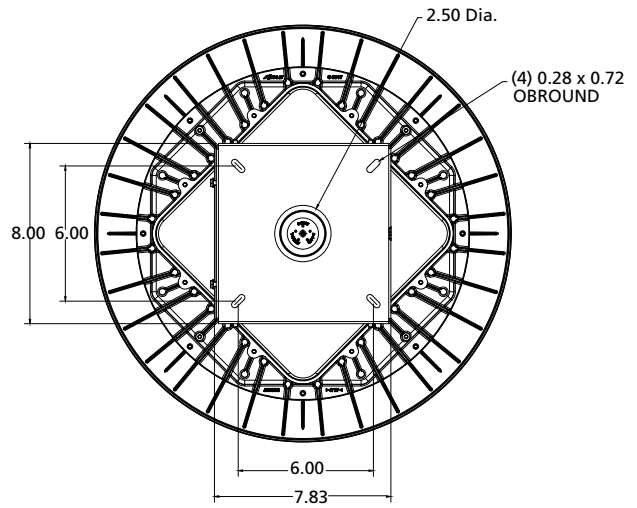
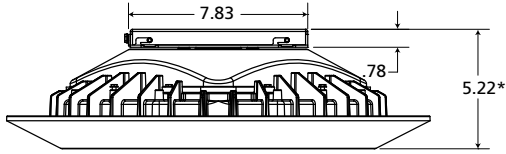
A brand of **legrand**

SENSCAPE™
Luminaires for Parking Garages

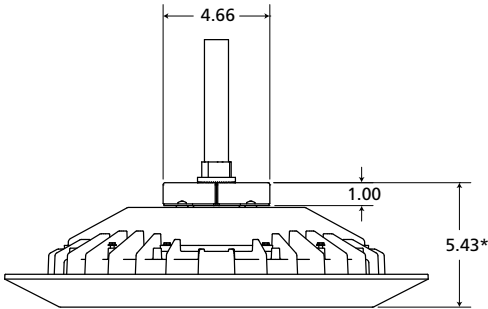
SPG18 SERIES

MOUNTING DIMENSIONAL DATA

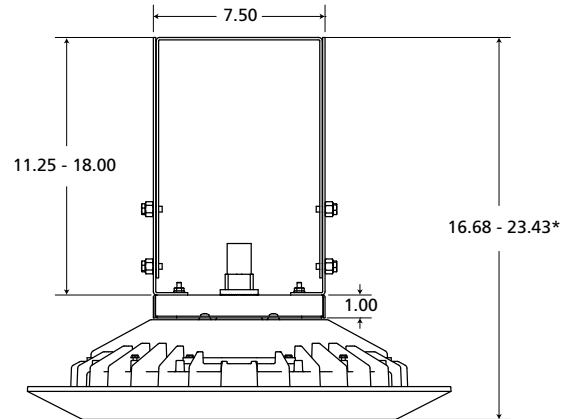
Direct-to-Surface



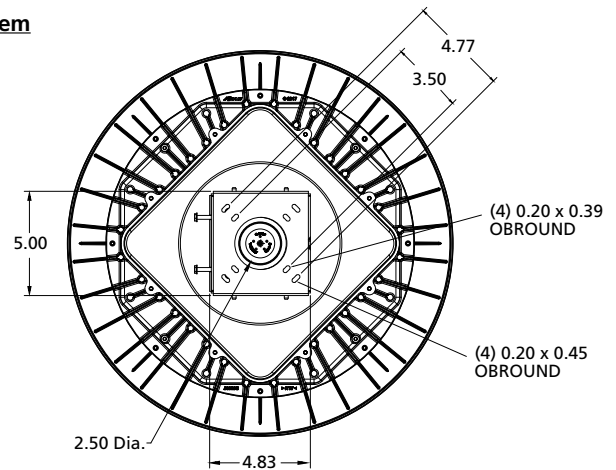
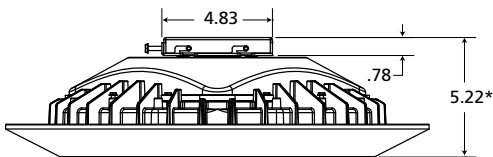
Pendant Mount



Trunnion Kit



Quick Mount System



www.kenall.com | P: 800-4-Kenall | F: 262-891-9700 | 10200 55th Street Kenosha, Wisconsin 53144, USA
This product is able to comply with the latest domestic preference legislation, such as the Buy American Act (BAA), Trade Agreement Act (TAA), Build America, Buy America Act (BABA), and others. It may be covered by patents found at www.kenall.com/patents. Content of specification sheets is subject to change; please consult www.kenall.com for current product details. ©2024 Kenall Mfg. Co.

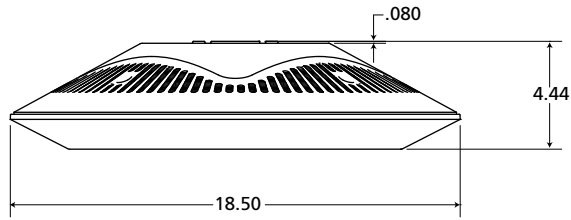
A brand of **legrand**

SENSCAPE™
Luminaires for Parking Garages

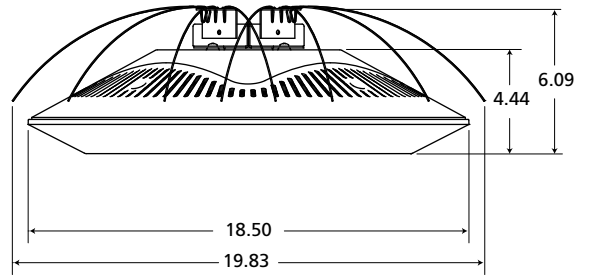
SPG18 SERIES

OPTIONS DIMENSIONAL DATA

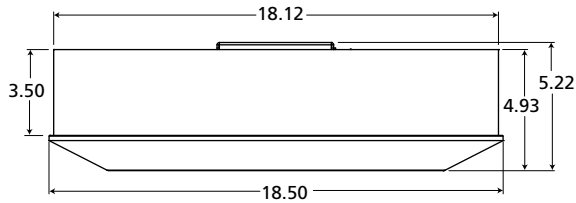
Product with Optional Debris Shield



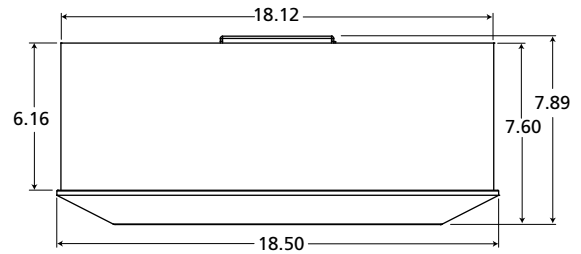
Bird Deterrent



Bird Guard

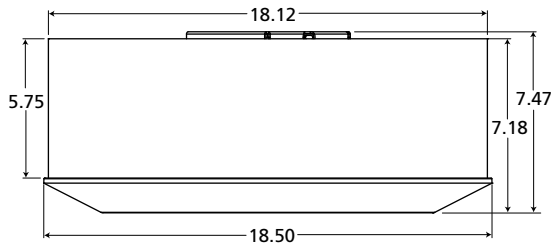


Bird Guard with LEL



Bird Guard with TL1000/TL2000/TL2000PS

* 70L Lamp Power and above



www.kenall.com | P: 800-4-Kenall | F: 262-891-9700 | 10200 55th Street Kenosha, Wisconsin 53144, USA
This product is able to comply with the latest domestic preference legislation, such as the Buy American Act (BAA), Trade Agreement Act (TAA), Build America, Buy America Act (BABA), and others. It may be covered by patents found at www.kenall.com/patents. Content of specification sheets is subject to change; please consult www.kenall.com for current product details. ©2024 Kenall Mfg. Co.

A brand of **legrand**

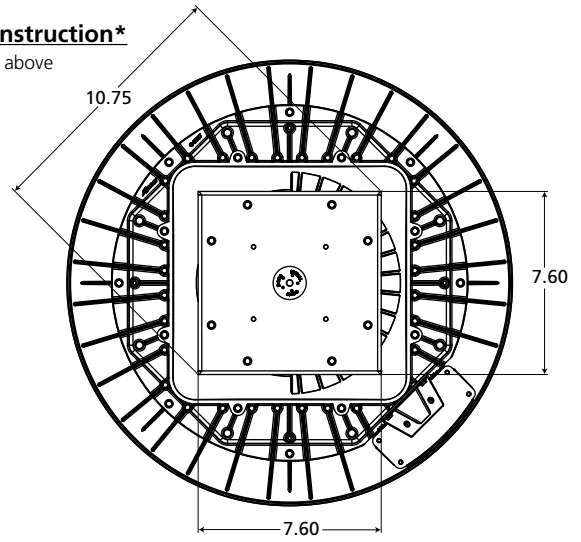
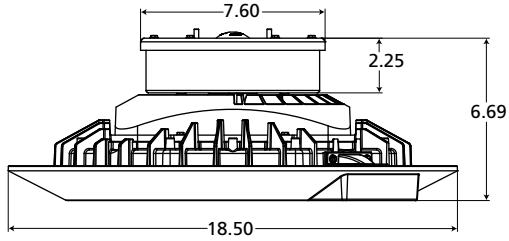
SENSCAPE™
Luminaires for Parking Garages

SPG18 SERIES

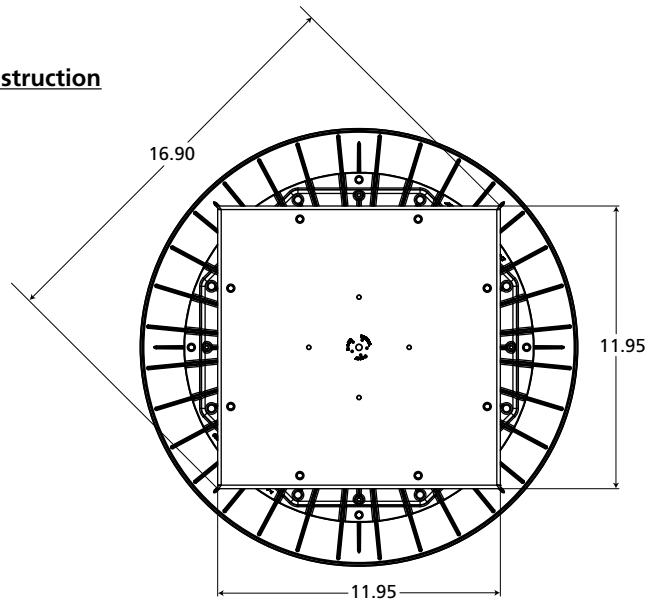
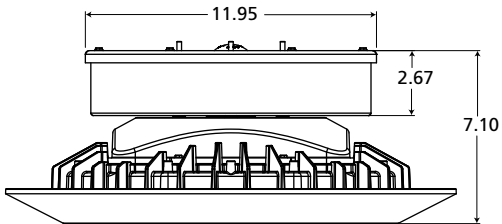
OPTIONS DIMENSIONAL DATA

TL1000/TL2000/TL2000PS Construction*

* 70L Lamp Power and above



LEL Construction



www.kenall.com | P: 800-4-Kenall | F: 262-891-9700 | 10200 55th Street Kenosha, Wisconsin 53144, USA
This product is able to comply with the latest domestic preference legislation, such as the Buy American Act (BAA), Trade Agreement Act (TAA), Build America, Buy America Act (BABA), and others. It may be covered by patents found at www.kenall.com/patents. Content of specification sheets is subject to change; please consult www.kenall.com for current product details. ©2024 Kenall Mfg. Co.

A brand of **legrand**